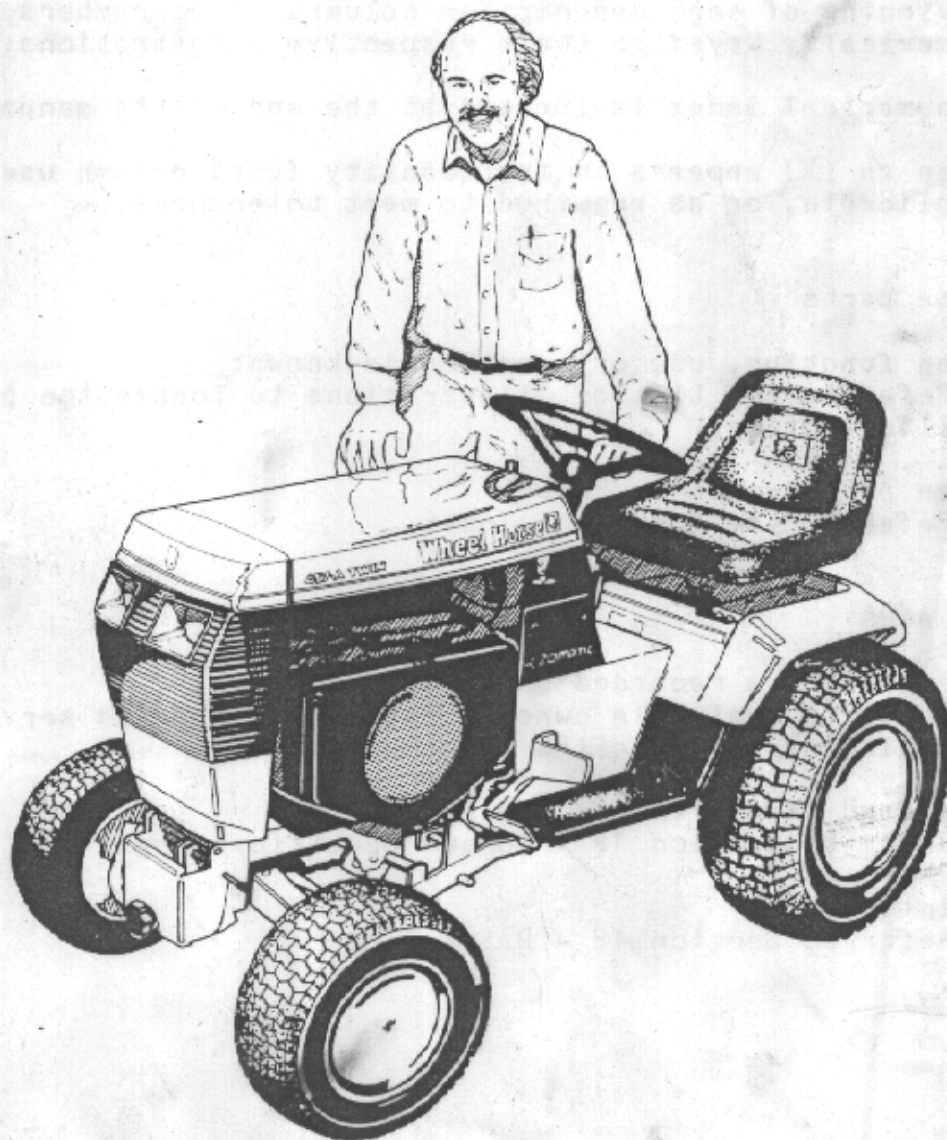


Parts & Service Manual

21-10K801
21-12K801
21-14K801
21-14KE01
31-16K801
31-17K801
31-17KE01

310-8
312-8
314-8
314-A
416-8
417-8
417-A

8-SPEED
8-SPEED
8-SPEED
AUTOMATIC
8-SPEED
TWIN 8-SPEED
TWIN AUTOMATIC



Wheel Horse

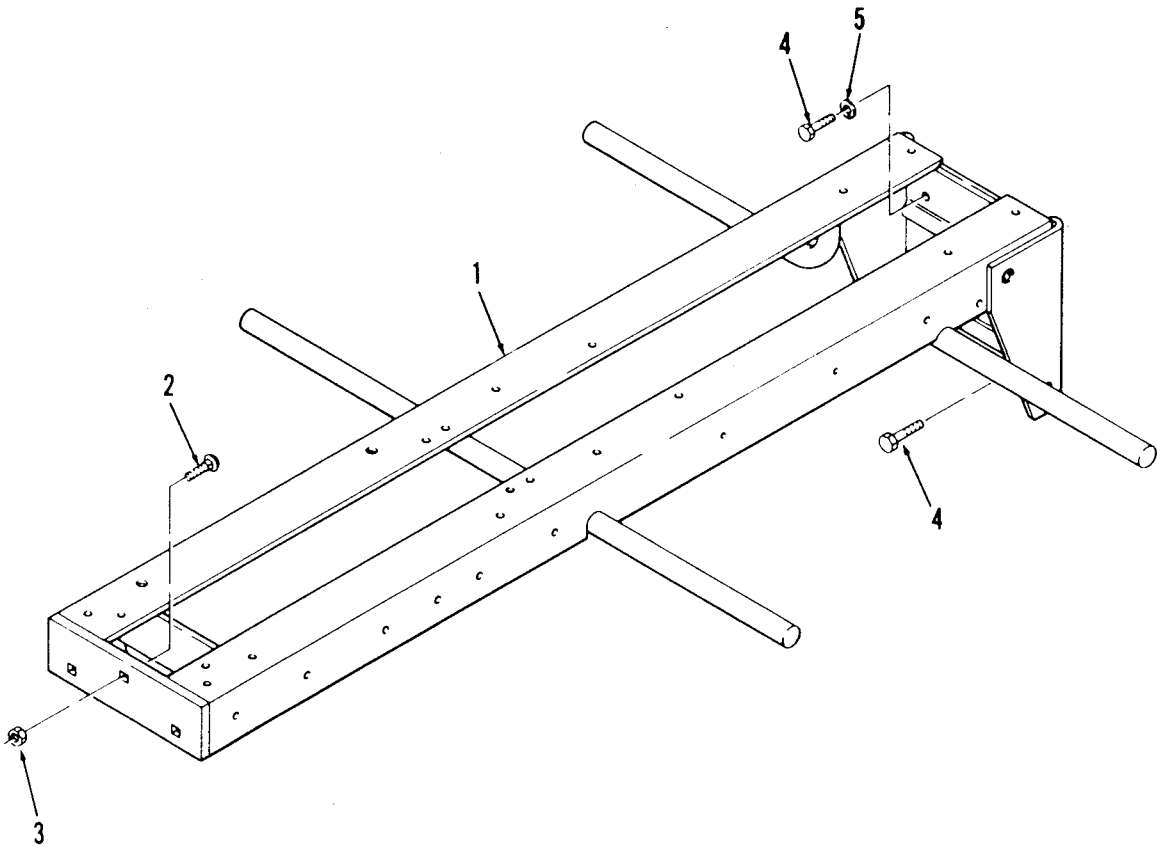
WHEEL HORSE 300/400 SERIES
PARTS MANUAL

INTRODUCTION PAGE

1. How to use this parts manual
 - 1.1 The 300/400 Series parts manual is divided into major sections arranged in the sequence outlined on the following page. Major sections are subdivided into smaller groups of parts, each with its own illustration and illustration reference numbers.
 - 1.2 Illustrated items are numerically keyed to the parts listing on the facing page. Illustrations are repeated when the parts list is too long for one page. Figure numbers are located at the bottom of each illustration and also at the beginning of each description column. Item numbers are numerically keyed to their respective illustrations.
 - 1.3 A numerical index is located at the end of the manual.
 - 1.4 When an (X) appears in the quantity (Qty) column use only if applicable, or as required to meet tolerances.
2. To locate parts
 - 2.1 When function, use or location is known:
Refer to the List of Illustrations to locate the proper illustration.
 - 2.2 When part number is known:
Refer to the Numerical Index.
3. Service aids
 - 3.1 Special notes recorded on illustrations:
Refer to available owner & repair manuals and service bulletins for detailed information.
 - 3.2 Standard torque values for fasteners:
Refer to Section 18 - Torque Specifications.
 - 3.3 Paint:
Refer to Section 18 - Paint

LIST OF ILLUSTRATIONS 1

| TITLE | FIGURE NUMBER | PAGE |
|---|---------------|-------|
| Section 1 | | |
| Frame,..... | 1-1 | 2 |
| Section 3 | | |
| Mechanical Transmission - 8 Speed..... | 3-1,2 | 4-6 |
| Section 4 | | |
| Transaxle..... | 4-1 | 8 |
| Automatic Transmission 417-A..... | 4-2 | 10 |
| Automatic Transmission 314-A..... | 4-3 | 12 |
| Section 5 | | |
| Front Axle and Steering..... | 5-1 | 14 |
| Section 6 | | |
| Clutch, Brake and Speed Control Linkage..... | 6-1,2,3 | 16-20 |
| Section 7 | | |
| Hitches..... | 7-1 | 22 |
| Mechanical Lift Linkage..... | 7-2 | 24 |
| Hydraulic Lift Linkage..... | 7-3 | 26 |
| Section 8 | | |
| Sheet Metal and Covers..... | 8-1,2,3 | 28-32 |
| Section 9 | | |
| Engines..... | 9-1 | 34 |
| Section 10 | | |
| Throttle, Choke, and Fuel System..... | 10-1 | 36 |
| Section 11 | | |
| Electrical System..... | 11-1 | 38-40 |
| Section 12 | | |
| Hydraulic System..... | 12-1 | 42 |
| Section 13 | | |
| Wheels and Tires..... | 13-1 | 44 |
| Section 14 | | |
| Drive Belt and Pulleys..... | 14-1 | 46 |
| PTO Clutch and Control..... | 14-2 | 48 |
| Section 15 | | |
| Seat..... | 15-1 | 50 |
| Decals..... | 15-2 | 52 |
| Section 17 | | |
| Wiring Diagram - 300/400 Series Single Cylinder.. | 17-1 | 54 |
| Wiring Diagram - 400 Series Twin Cylinder..... | 17-2 | 56 |
| Section 18 | | |
| Service Information..... | None | 58 |



0103

Figure 1-1 Frame

| ITEM | PART NUMBER | DESCRIPTION | Automatic | |
|------|-------------|-------------------------------|-----------|---|
| | | | 8-Speed | |
| | | Figure 1-1 FRAME | | |
| 1 | 110648 | Frame..... | 1 | 1 |
| 2 | 900063 | Carriage Bolt 3/8-16 x 1..... | 3 | 3 |
| 3 | 915113 | Eslok Nut 3/8-16..... | 3 | 3 |
| 4 | 908032 | Bolt 3/8-16 x 3/4..... | 4 | 4 |
| 5 | 920083 | Lockwasher 3/8..... | 4 | 4 |

SECTION 3 - 8-SPEED TRANSMISSION

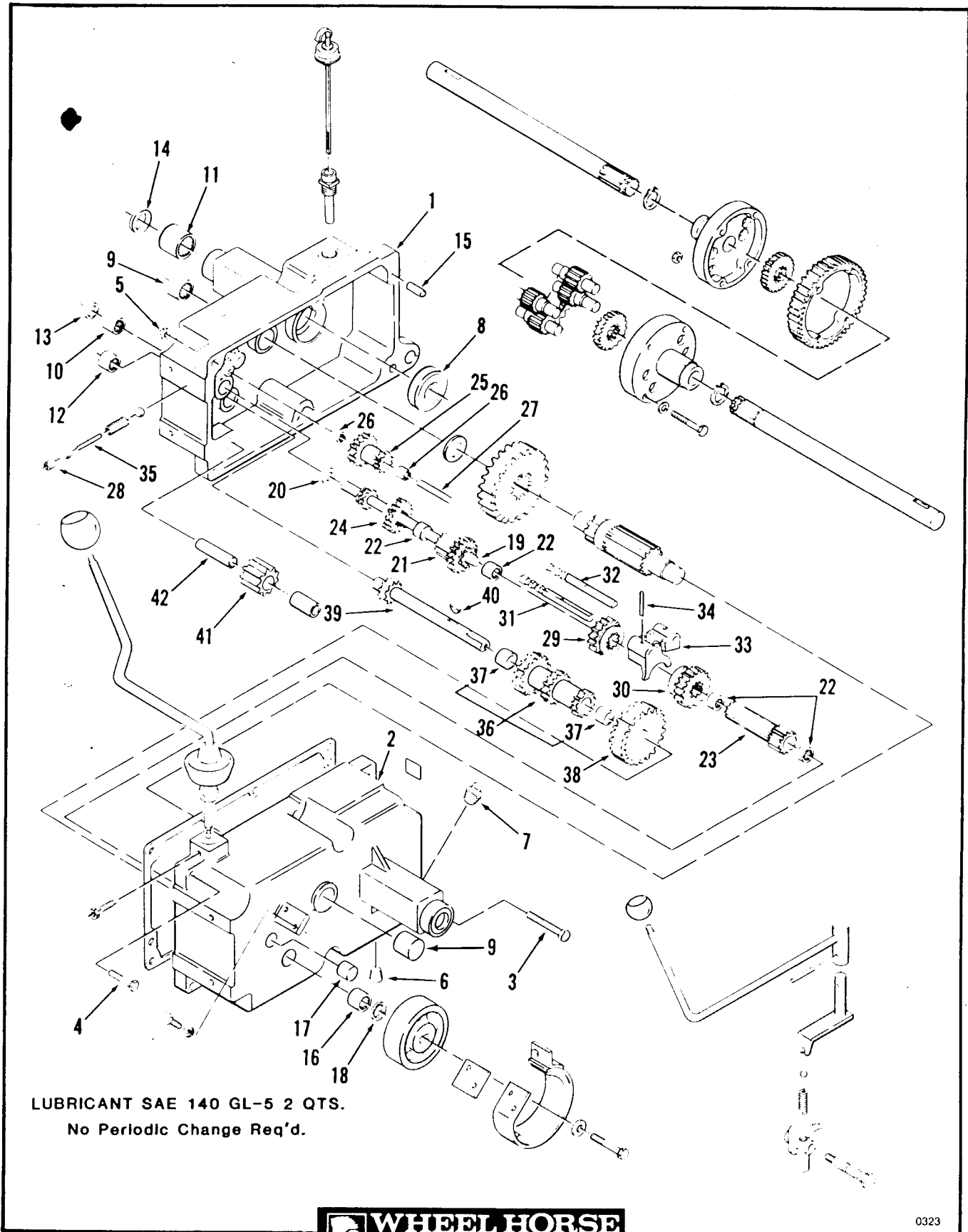


Figure 3-1 Mechanical Transmission - 8-Speed

| ITEM | PART NUMBER | DESCRIPTION | Automatic 8-Speed |
|------|-------------|--|----------------------|
| | | Figure 3-1 MECHANICAL TRANSMISSION - 8-SPEED | |
| | 103916 | Assembly 8-Speed Transmission 416-8,417-8 Only | 1 |
| 1 | 101761 | Case-Transmission RH 310-8,312-8,314-8 Only... | 1 |
| | 8163 | Case-Transmission RH 416-8,417-8 Only..... | 1 |
| 2 | 3901 | Case-Transmission LH 310-8,312-8,314-8 Only... | 1 |
| | 6941 | Case-Transmission LH 416-8,417-8 Only..... | 1 |
| 3 | 908043 | Bolt 3/8-16 x 3 1/2..... | 1 |
| 4 | 908038 | Bolt 3/8-16 x 2..... | 5 |
| 5 | 915113 | Eslok Nut 3/8-16..... | 6 |
| 6 | 943460 | Allen Hd. Pipe Plug 1/4..... | 1 |
| 7 | 943420 | Sq. Hd. Pipe Plug 3/8..... | 1 |
| 8 | 1533 | Ball Bearing 1 1/2 I.D. N.M. Keasell 40x68x15..... | 2 |
| 9 | 1532 | Needle Bearing 1 I.D. | 2 |
| 10 | 1542 | Needle Bearing 5/8 I.D. | 1 |
| 11 | 1528 | Needle Bearing 1 I.D. 310-8,312-8,314-8 Only.. | 2 |
| | 9416 | Needle Bearing 1 1/8 I.D. 416-8,417-8 Only.... | 2 |
| 12 | 1529 | Needle Bearing 3/4 I.D. | 1 |
| 13 | 100442 | Seal-Input Shaft 5/8 I.D. | 1 |
| 14 | 100863 | Seal-Axle 1 I.D. 310-8,312-8,314-8 Only..... | 2 |
| | 100443 | Seal-Axle 1 1/8 I.D. 416-8,417-8 Only..... | 2 |
| 15 | 3915 | Locating Pin..... | 2 |
| 16 | 1523 | Needle Bearing 3/4 I.D. | 1 |
| 17 | 1531 | Needle Bearing 5/8 I.D. | 1 |
| 18 | 100441 | Seal-Brake Shaft 3/4 I.D. | 1 |
| 19 | 7201 | Input Shaft..... | 1 |
| 20 | 7418 | Thrust Washer..... | 1 |
| 21 | 7204 | Gear..... | 1 |
| 22 | 1518 | Needle Bearing 5/8 I.D. | 4 |
| 23 | 5175 | Gear..... | 1 |
| 24 | 7205 | Sliding Gear..... | 1 |
| 25 | 7206 | Reduction Gear..... | 1 |
| 26 | 7207 | Needle Bearing 3/8 I.D. | 2 |
| 27 | 7208 | Shaft-Reduction Gear..... | 1 |
| 28 | 1243 | Plug Cup..... | 1 |
| 29 | 5173 | Gear 2nd and 3rd..... | 1 |
| 30 | 5174 | Gear 1st and Reverse..... | 1 |
| 31 | 5615 | Shift Rail-Front..... | 1 |
| 32 | 5616 | Shift Rail-Rear..... | 1 |
| 33 | 3503 | Shift Fork..... | 2 |
| 34 | 933156 | Spirol Pin 1/8 x 1..... | 2 |
| 35 | 5614 | Shift Pin..... | 1 |
| 36 | 7269 | Cluster Gear With Bushings..... | 1 |
| 37 | 1504 | Bronze Bushing..... | 2 |
| 38 | 3527 | Reduction Gear..... | 1 |
| 39 | 9840 | Cluster Shaft..... | 1 |
| 40 | 937089 | Woodruff Key 3/16 x 3/4..... | 1 |
| 41 | 4204 | Gear-Reverse Idler..... | 1 |
| 42 | 3909 | Pin-Reverse Idler..... | 1 |

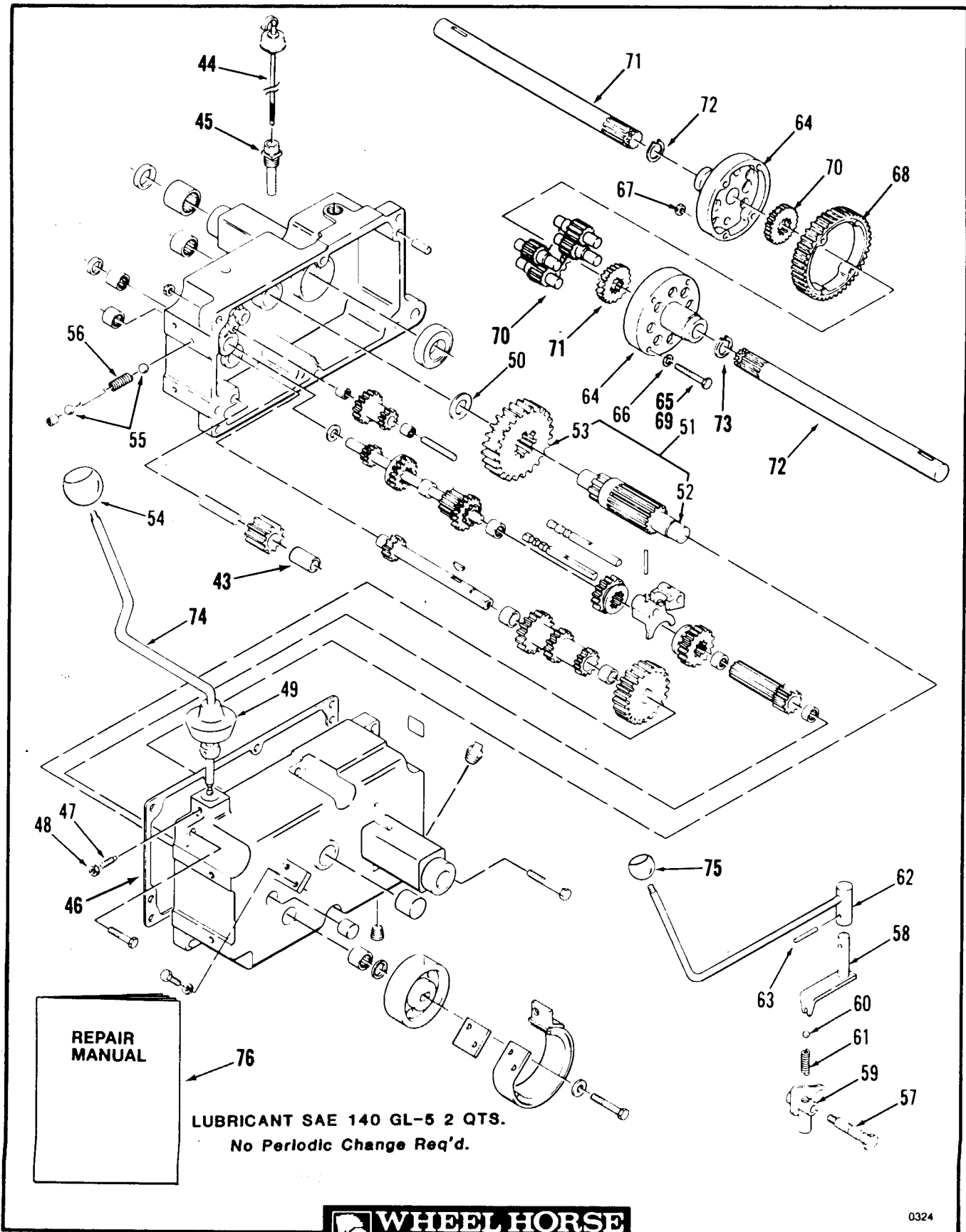
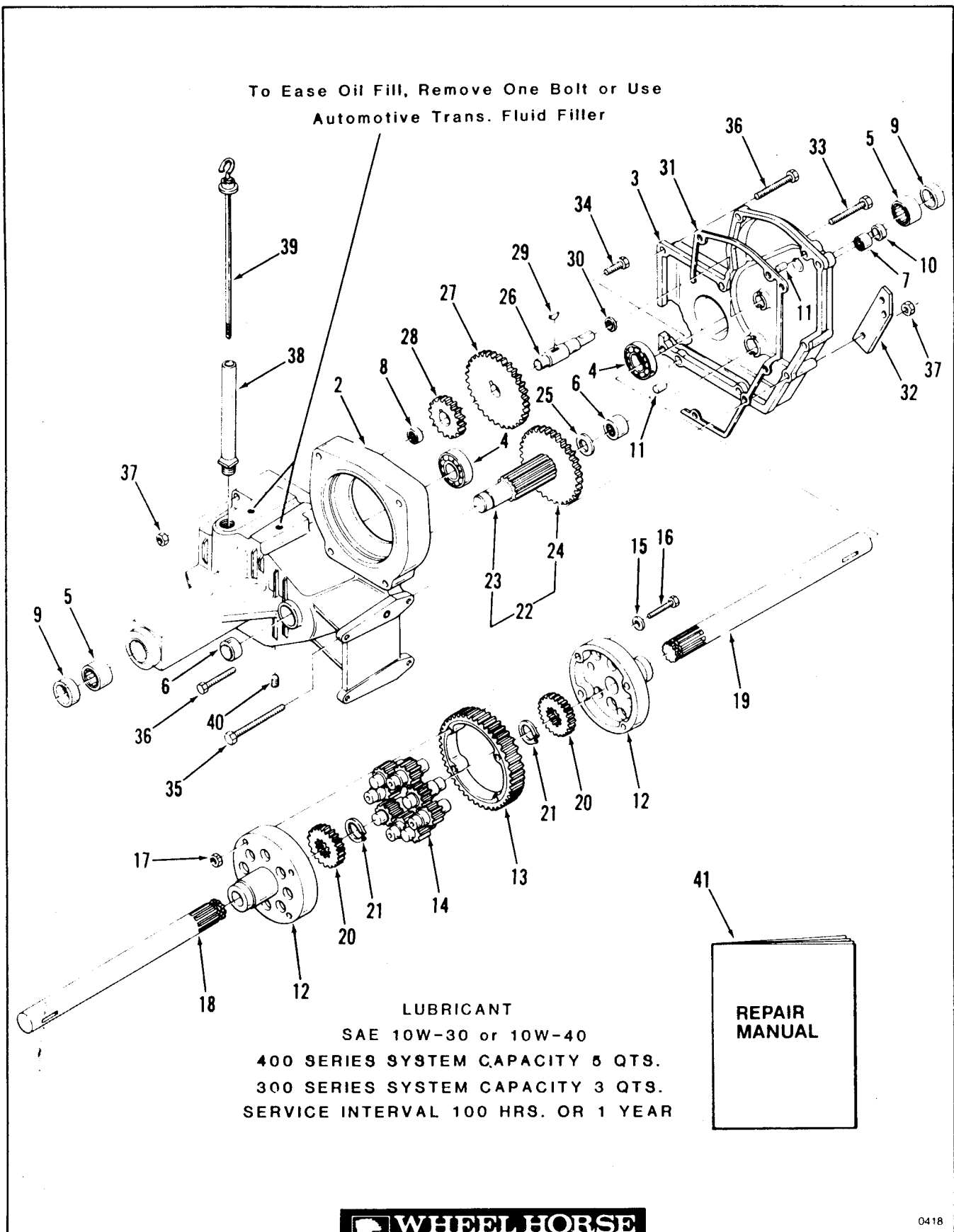


Figure 3-2 Mechanical Transmission - 8-Speed

| ITEM | PART NUMBER | DESCRIPTION | Automatic 8-Speed |
|---|-------------|---|----------------------|
| Figure 3-2 MECHANICAL TRANSMISSION - 8-SPEED (CONTINUED) | | | |
| 43 | 1516 | Bushing-Reverse Idler..... | 1 |
| 44 | 106447 | Dipstick Assembly..... | 1 |
| 45 | 106448 | Nipple-Transmission Fill..... | 1 |
| 46 | 3912 | Transmission Case Gasket..... | 1 |
| 47 | 1239 | Special Set Screw..... | 1 |
| 48 | 915111 | Nut 1/4-20..... | 1 |
| 49 | 3577 | Dust Cover..... | 1 |
| 50 | 9547 | Thrust Washer..... | 1 |
| 51 | 102974 | Gear Assembly..... | 1 |
| 52 | 101625 | Gear 11 Tooth..... | 1 |
| 53 | 101626 | Gear 44 Tooth..... | 1 |
| 54 | 108758 | Gear Shift Knob..... | 2 |
| 55 | 3517 | Detent Ball 1/4 Diameter..... | 2 |
| 56 | 106030 | Detent Spring..... | 1 |
| 57 | 7213 | Detent Bolt..... | 1 |
| 58 | 7214 | Shift Shaft Hi-Low Range..... | 1 |
| 59 | 7209 | Shift Fork Hi-Low Range..... | 1 |
| 60 | 3517 | Detent Ball 1/4 Diameter..... | 1 |
| 61 | 106030 | Detent Spring..... | 1 |
| 62 | 110727 | Shift Lever Hi-Low Range..... | 1 |
| 63 | 933184 | Spirol Pin 3/16 x 3/4..... | 1 |
| 64 | 105062 | Differential End Cap 310-8,312-8,314-8 Only... | 2 |
| | 105060 | Differential End Cap 416-8,417-8 Only..... | 2 |
| 65 | 908138 | Bolt 3/8-16 x 3 1/4 Grade 5..... | 4 |
| 66 | 107374 | Special Washer-Case Hardened..... | 4 |
| 67 | 108881 | Nut 3/8-16 High-Tensile..... | 4 |
| 68 | 105063 | Differential Ring Gear 43 Tooth 310-8,312-8, 314-8 Only..... | 1 |
| | 105061 | Differential Ring Gear 43 Tooth 416-8,417-8... | 1 |
| 69 | 911423 | Bolt 3/8-16 x 3 1/2 (Grade 8) 416-8,417-8 Only | 4 |
| 70 | 101623 | Differential Pinion Gear 11 Tooth 300 Series.. 8 used on 416-8,417-8 | 4 |
| 71 | 3908 | Differential Axle Gear 310-8,312-8,314-8 Only. | 2 |
| | 101889 | Differential Axle Gear 416-8,417-8 Only..... | 2 |
| 72 | 5961 | Rear Axle 310-8,312-8,314-8 Only (1" dia.).... | 2 |
| | 105875 | Rear Axle 416-8,417-8 Only (1 1/8" dia.)..... | 2 |
| 73 | 7939 | Special Snap Ring 310-8,312-8,314-8 Only..... | 2 |
| | 105876 | Special Snap Ring 416-8,417-8 Only..... | 2 |
| 74 | 110725 | Gear Shift Lever..... | 1 |
| 75 | 1001 | Hi-Lo Range Shift Knob..... | 1 |
| 76 | A-1392 | Repair Manual..... | 1 |



0418

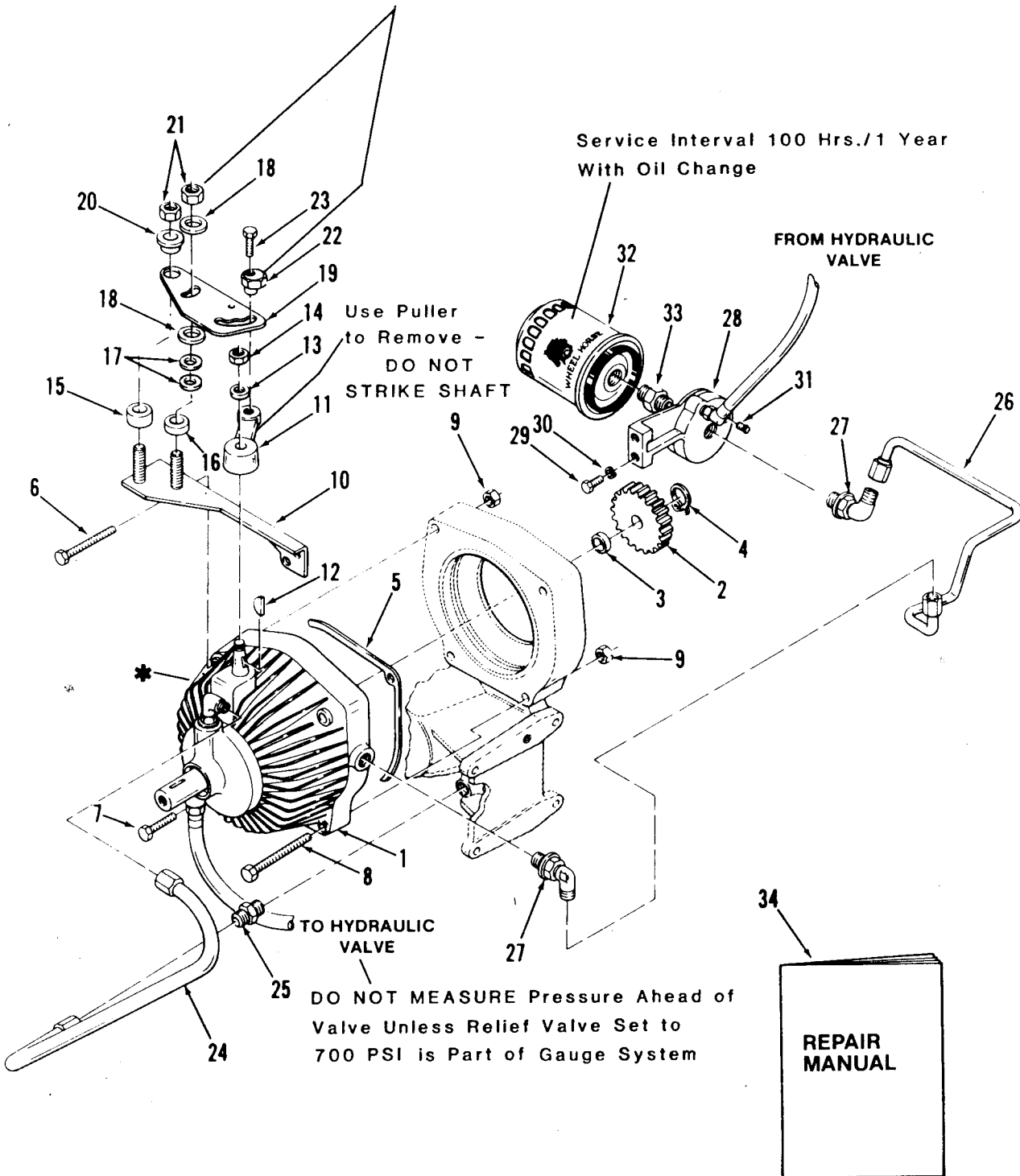
Figure 4-1 Transaxle

SECTION 4 - AUTOMATIC TRANSMISSION

9

| ITEM | PART NUMBER | DESCRIPTION | Automatic 8-Speed |
|------|-------------|---|----------------------|
| | | Figure 4-1 TRANSAXLE - 300/400 SERIES | |
| | 111080 | Transaxle Complete 314-A Only..... | 1 |
| | 108369 | Transaxle Complete 417-A Only..... | 1 |
| 2 | 108310 | Case-Transaxle RH..... | 1 |
| 3 | 109766 | Case-Transaxle LH..... | 1 |
| 4 | 1533 | Ball Bearing 1 1/2 I.D. | 2 |
| 5 | 9416 | Needle Bearing 1 1/8 I.D. | 2 |
| 6 | 1532 | Needle Bearing 1 I.D. | 2 |
| 7 | 1538 | Needle Bearing 3/4 I.D. | 1 |
| 8 | 1518 | Needle Bearing 5/8 I.D. | 1 |
| 9 | 6449 | Seal Axle..... | 2 |
| 10 | 108357 | Seal..... | 1 |
| 11 | 108363 | Dowel Pin..... | 2 |
| 12 | 105060 | Differential End Cap..... | 2 |
| 13 | 105061 | Differential Ring Gear 43 Tooth..... | 1 |
| 14 | 101623 | Differential Pinion Gear 11 Tooth 417-A..... 4 used on 314-A | 8 |
| 15 | 107374 | Special Washer-Case Hardened..... | 4 |
| 16 | 911423 | Bolt 3/8-16 x 3 1/2 Grade 8..... | 4 |
| 17 | 108881 | Nut 3/8-16 High-Tensile..... | 4 |
| 18 | 108362 | Rear Axle RH-Long (13 1/8 in./33 cm)..... | 1 |
| 19 | 108361 | Rear Axle LH-Short (10 1/8 in./26 cm)..... | 1 |
| 20 | 101889 | Differential Axle Gear 24 Tooth..... | 2 |
| 21 | 105876 | Special Snapping..... | 2 |
| 22 | 109703 | Gear Assembly 314-A Only..... | 1 |
| | 102974 | Gear Assembly 417-A Only..... | 1 |
| 23 | 101625 | Gear-Pinion 11 Tooth..... | 1 |
| 24 | 101887 | Gear-Reduction 46 Tooth 314-A Only..... | 1 |
| | 101626 | Gear-Reduction 44 Tooth 417-A Only..... | 1 |
| 25 | 9547 | Thrust Washer..... | 1 |
| 26 | 109370 | Shaft..... | 1 |
| 27 | 109752 | Gear 46 Tooth 314-A Only..... | 1 |
| | 108359 | Gear 44 Tooth 417-A Only..... | 1 |
| 28 | 109742 | Gear 20 Tooth 314-A Only..... | 1 |
| | 108358 | Gear 22 Tooth 417-A Only..... | 1 |
| 29 | 937099 | Woodruff Key 3/16 x 1 1/8..... | 1 |
| 30 | 7956 | Thrust Washer..... | 1 |
| 31 | 108312 | Gasket-Case..... | 1 |
| 32 | 109367 | Bracket-Brake..... | 1 |
| 33 | 908040 | Bolt 3/8-16 x 2 1/2 Eslok..... | 1 |
| 34 | 908035 | Bolt 3/8-16 x 1 1/4 Eslok..... | 1 |
| 35 | 908143 | Bolt 3/8-16 x 5..... | 1 |
| 36 | 908042 | Bolt 3/8-16 x 3..... | 2 |
| 37 | 915113 | Nut 3/8-16 Eslok..... | 3 |
| 38 | 106448 | Filler Tube..... | 1 |
| 39 | 106446 | Dipstick 314-A Only..... | 1 |
| | 110768 | Dipstick 417-A Only..... | 1 |
| 40 | 943460 | Allen Hd. Pipe Plug 1/4..... | 1 |
| 41 | 810243R1 | Repair Manual 417-A..... | 1 |
| 41 | 810395R1 | Repair Manual 314-A..... | 1 |

REFER TO SECTION 18 FOR ADJUSTMENTS, REPAIR MANUAL FOR SERVICE



* Internal Service Not Authorized at Time of Publication

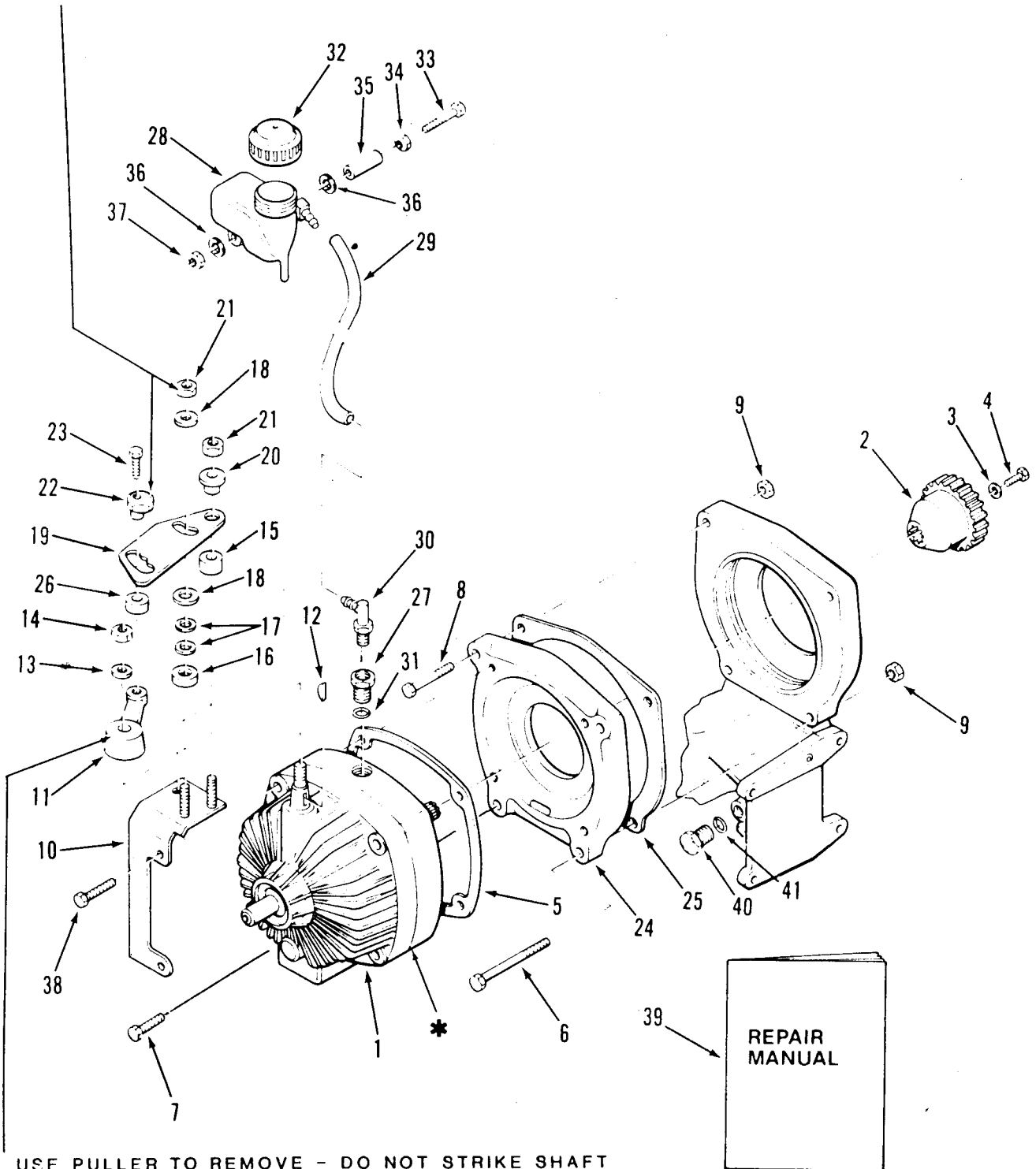


0419

Figure 4-2 Automatic Transmission

| ITEM | PART NUMBER | DESCRIPTION | Automatic 8-Speed |
|------|-------------|--|----------------------|
| | | Figure 4-2 | |
| | | AUTOMATIC TRANSMISSION - 400 SERIES | |
| 1 | 108368 | Pump & Motor (Rebuilt P/N 219020)..... | 1 |
| 2 | 108320 | Gear 22 Tooth..... | 1 |
| 3 | 108366 | Spacer-Drive Gear..... | 1 |
| 4 | 936121 | Snapring..... | 1 |
| 5 | 108319 | Gasket..... | 1 |
| 6 | 908143 | Bolt 3/8-16 x 5..... | 2 |
| 7 | 908040 | Bolt 3/8-16 x 2 1/2 Eslok..... | 1 |
| 8 | 911429 | Bolt 3/8-16 x 6 1/2..... | 1 |
| 9 | 915113 | Nut 3/8-16 Eslok..... | 3 |
| 10 | 108329 | Control Plate..... | 1 |
| 11 | 108325 | Cam Follower Arm..... | 1 |
| 12 | 937009 | Woodruff Key 1/8 x 5/8..... | 1 |
| 13 | 920011 | Washer 1/2 SAE..... | 1 |
| 14 | 915115 | Nut 1/2 Eslok..... | 1 |
| 15 | 108326 | Spacer (Long)..... | 1 |
| 16 | 108327 | Spacer (Short)..... | 1 |
| 17 | 100365 | Washer-Spring Disc..... | 2 |
| 18 | 100305 | Washer-Friction..... | 2 |
| 19 | 108333 | Cam-Speed Control..... | 1 |
| 20 | 100309 | Spacer..... | 1 |
| 21 | 108881 | Locknut 3/8-16 Hi-Tensile..... | 2 |
| 22 | 106661 | Eccentric Cam..... | 1 |
| 23 | 908019 | Bolt 5/16-18 x 1 Eslok..... | 1 |
| 24 | 108317 | Tube-Suction..... | 1 |
| 25 | 108364 | Fitting (With 973620 O-Ring)..... | 1 |
| 26 | 109377 | Tube Assembly..... | 1 |
| 27 | 108365 | Elbow (With 973370 O-Ring)..... | 2 |
| 28 | 108323 | Base-Oil Filter..... | 1 |
| 29 | 908017 | Bolt 5/16-18 x 3/4..... | 2 |
| 30 | 920082 | Lockwasher 5/16..... | 2 |
| 31 | 943460 | Plug 1/4 NPT..... | 1 |
| 32 | 108335 | Oil Filter..... | 1 |
| 33 | 5991 | Fitting..... | 1 |
| 34 | 810243R1 | Repair Manual 417-A..... | 1 |

REFER TO SECTION 18 FOR ADJUSTMENTS, REPAIR MANUAL FOR SERVICE



USE PULLER TO REMOVE - DO NOT STRIKE SHAFT

* INTERNAL SERVICE NOT AUTHORIZED AT TIME OF PUBLICATION



0427

Figure 4-3 Automatic Transmission

| ITEM | PART NUMBER | DESCRIPTION | Automatic | |
|------|-------------|--|-----------|---|
| | | | 8-Speed | |
| | | Figure 4-3 | | |
| | | AUTOMATIC TRANSMISSION - 300 SERIES | | |
| 1 | 110959 | Pump & Motor (Rebuilt P/N 219021)..... | | 1 |
| 2 | 110945 | Gear 20 Tooth..... | | 1 |
| 3 | 103995 | Special Washer 9/32..... | | 1 |
| 4 | 908002 | Hex Bolt 1/4-20 x 5/8 Eslok..... | | 1 |
| 5 | 7951 | Gasket..... | | 1 |
| 6 | 908143 | Bolt 3/8-16 x 5..... | | 1 |
| 7 | 908035 | Eslok Bolt 3/8-16 x 1 1/4..... | | 1 |
| 8 | 911111 | Socket Head Bolt 3/8-16 x 3 1/2..... | | 2 |
| 9 | 915113 | Eslok Nut 3/8-16..... | | 3 |
| 10 | 110948 | Control Plate..... | | 1 |
| 11 | 110946 | Cam Follower Arm..... | | 1 |
| 12 | 937082 | Woodruff Key..... | | 1 |
| 13 | 920009 | Washer 3/8 SAE..... | | 1 |
| 14 | 915663 | Eslok Nut 3/8-16..... | | 1 |
| 15 | 108326 | Spacer (Long)..... | | 1 |
| 16 | 108327 | Spacer (Short)..... | | 1 |
| 17 | 100365 | Washer-Spring Disc..... | | 2 |
| 18 | 100305 | Washer-Friction..... | | 2 |
| 19 | 108333 | Cam-Speed Control..... | | 1 |
| 20 | 100309 | Spacer..... | | 1 |
| 21 | 108881 | Locknut 3/8-16 Hi-Tensile..... | | 2 |
| 22 | 106661 | Eccentric Cam..... | | 1 |
| 23 | 908021 | Eslok Bolt 5/16 x 1 1/2..... | | 1 |
| 24 | 110953 | Hydro Adapter..... | | 1 |
| 25 | 108319 | Adapter Gasket..... | | 1 |
| 26 | 110938 | Cam Spacer..... | | 1 |
| 27 | 104904 | Plug Fitting w/O-ring..... | | 1 |
| 28 | 110952 | Tank Assembly..... | | 1 |
| 29 | 110944 | Hose..... | | 1 |
| 30 | 110940 | Elbow Fitting..... | | 1 |
| 31 | 973370 | O-ring..... | | 1 |
| 32 | 110942 | Vented Cap..... | | 1 |
| 33 | 900200 | Bolt 1/4-20 x 1 3/4..... | | 1 |
| 34 | 5466 | Speed Nut 1/4..... | | 1 |
| 35 | 2833 | Spacer..... | | 1 |
| 36 | 920007 | Washer 1/4 SAE..... | | 2 |
| 37 | 915111 | Nut 1/4 Eslok..... | | 1 |
| 38 | 908041 | Hex Bolt 3/8-16 x 2 3/4..... | | 4 |
| 39 | 810395R1 | Repair Manual..... | | 1 |
| 40 | 110939 | Transaxle Case Plug w/O-ring..... | | 1 |
| 41 | 973620 | O-ring..... | | 1 |

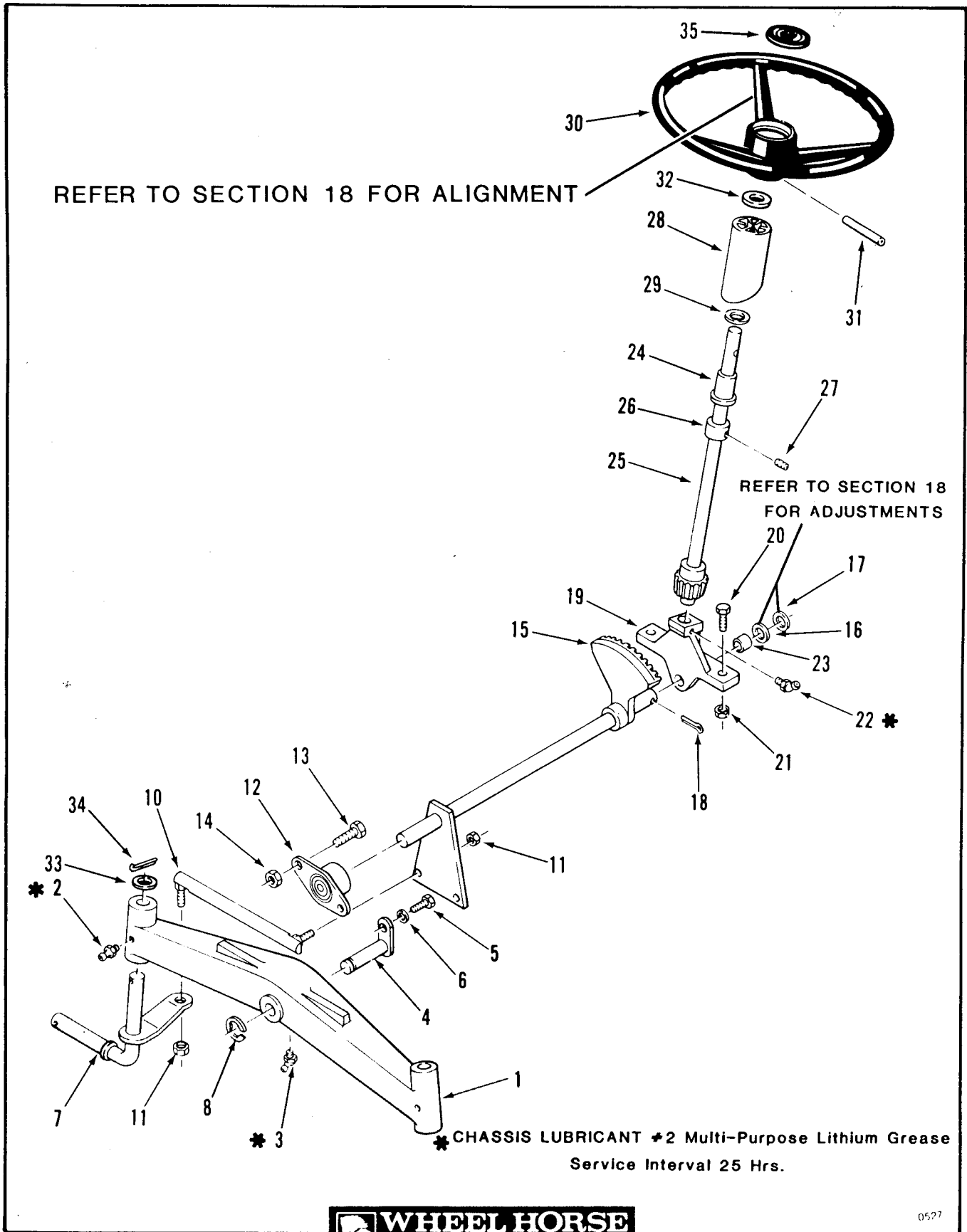


Figure 5-1 Front Axle and Steering

| ITEM | PART NUMBER | DESCRIPTION | Automatic | |
|-------------------------|-------------|---|-----------|---|
| | | | 8-Speed | |
| Figure 5-1 | | | | |
| FRONT AXLE AND STEERING | | | | |
| 1 | 5638 | Front Axle..... | 1 | 1 |
| 2 | 1030 | Grease Fitting Straight..... | 2 | 2 |
| 3 | 1481 | Grease Fitting 45 Degree..... | 1 | 1 |
| 4 | 6216 | Pin and Plate..... | 1 | 1 |
| 5 | 908015 | Bolt 5/16-18 x 1/2..... | 1 | 1 |
| 6 | 920082 | Lockwasher 5/16..... | 1 | 1 |
| 7 | 110956 | Front Spindle RH 310-8,312-8,314-8,314-A Only. | 1 | 1 |
| | 110212 | Front Spindle RH 416-8,417-8,417-A Only..... | 1 | 1 |
| 7 | 110957 | Front Spindle LH 310-8,312-8,314-8,314-A Only. | 1 | 1 |
| | 110213 | Front Spindle LH 416-8,417-8,417-A Only..... | 1 | 1 |
| 8 | 5618 | E-Ring..... | 1 | 1 |
| 10 | 102592 | Tie Rod RH..... | 1 | 1 |
| | 102593 | Tie Rod LH..... | 1 | 1 |
| 11 | 915002 | Eslok Nut 3/8-24..... | 4 | 4 |
| 12 | 6472 | Flanged Bearing..... | 1 | 1 |
| 13 | 908032 | Bolt 3/8-16 x 3/4..... | 2 | 2 |
| 14 | 915113 | Eslok Nut 3/8-16..... | 2 | 2 |
| 15 | 6469 | Lower Steering Shaft..... | 1 | 1 |
| 16 | 5210 | Shim Washer 3/4 x .015..... | X | X |
| 17 | 1278 | Shim Washer 3/4 x .050..... | X | X |
| 18 | 932035 | Cotter Pin 3/16 x 1 1/4..... | 1 | 1 |
| 19 | 109733 | Steering Support..... | 1 | 1 |
| 20 | 908036 | Bolt 3/8-16 x 1 1/2..... | 2 | 2 |
| 21 | 915113 | Eslok Nut 3/8-16..... | 2 | 2 |
| 22 | 1481 | Grease Fitting 45 Degree..... | 1 | 1 |
| 23 | 6397 | Bearing-Lower Steering Shaft..... | 1 | 1 |
| 24 | 109189 | Bearing-Upper Steering Shaft..... | 1 | 1 |
| 25 | 106177 | Upper Steering Shaft..... | 1 | 1 |
| 26 | 1085 | Collar-Upper Steering Shaft..... | 1 | 1 |
| 27 | 909848 | Set Screw 1/4-20 x 1/4 Cup Pt. | 1 | 1 |
| 28 | 109163 | Collar..... | 1 | 1 |
| 29 | 7896 | Bowed Washer..... | 1 | 1 |
| 30 | 106055 | Steering Wheel 310-8,312-8..... | 1 | |
| | 102715 | Steering Wheel 314-8,416-8..... | 1 | |
| | 110743 | Steering Wheel 314-A,417-8,417-A..... | 1 | 1 |
| 31 | 933221 | Spirol Pin 1/4 x 2..... | 1 | 1 |
| 32 | 109262 | Special Washer..... | X | X |
| 33 | 1278 | Washer..... | 2 | 2 |
| 34 | 932026 | Cotter Pin 5/32 x 1 1/4..... | 2 | 2 |
| 35 | 102856 | Steering Wheel Insert 314-8,314-A,416-8,417-8 417-A..... | 1 | 1 |

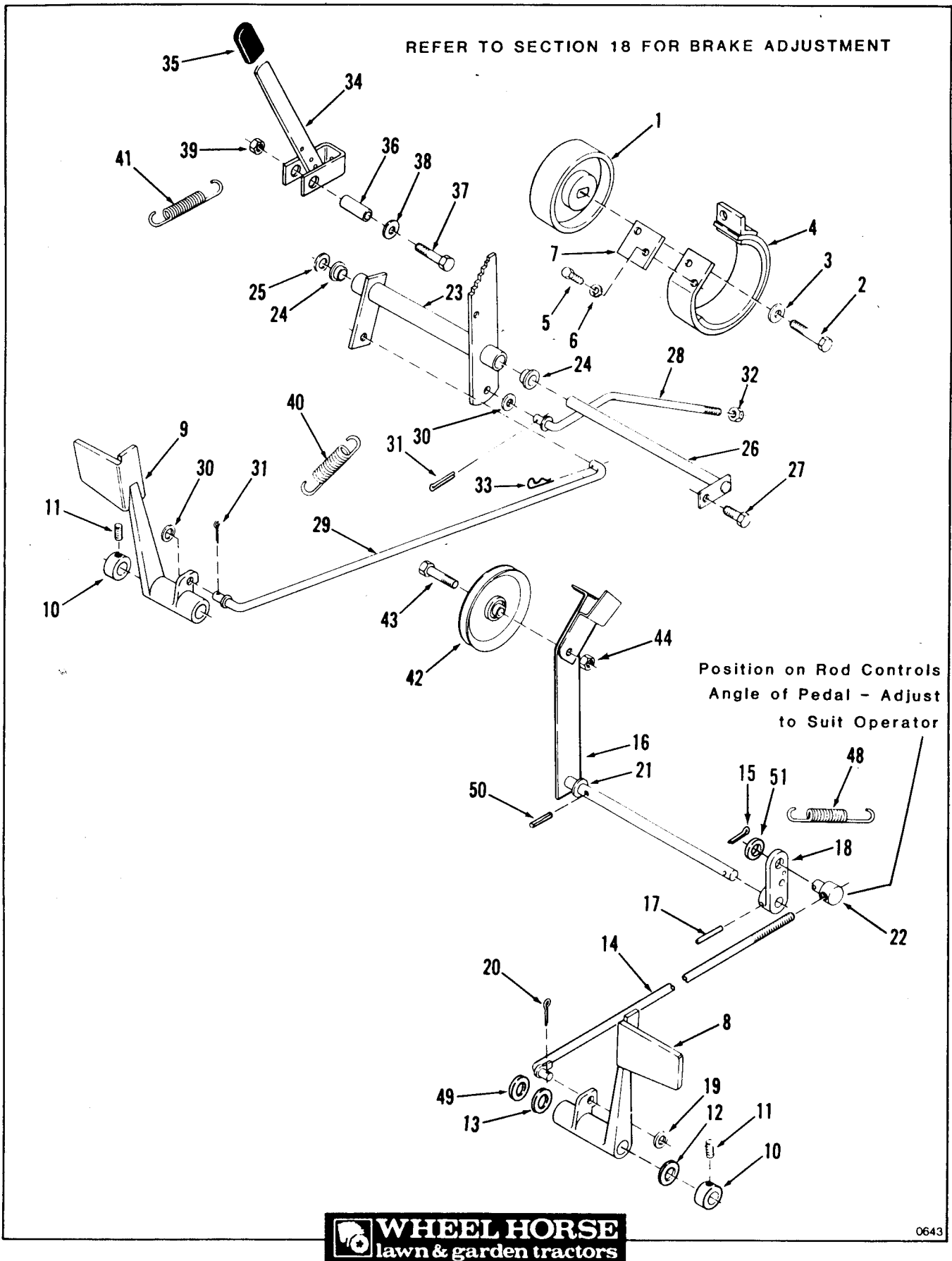
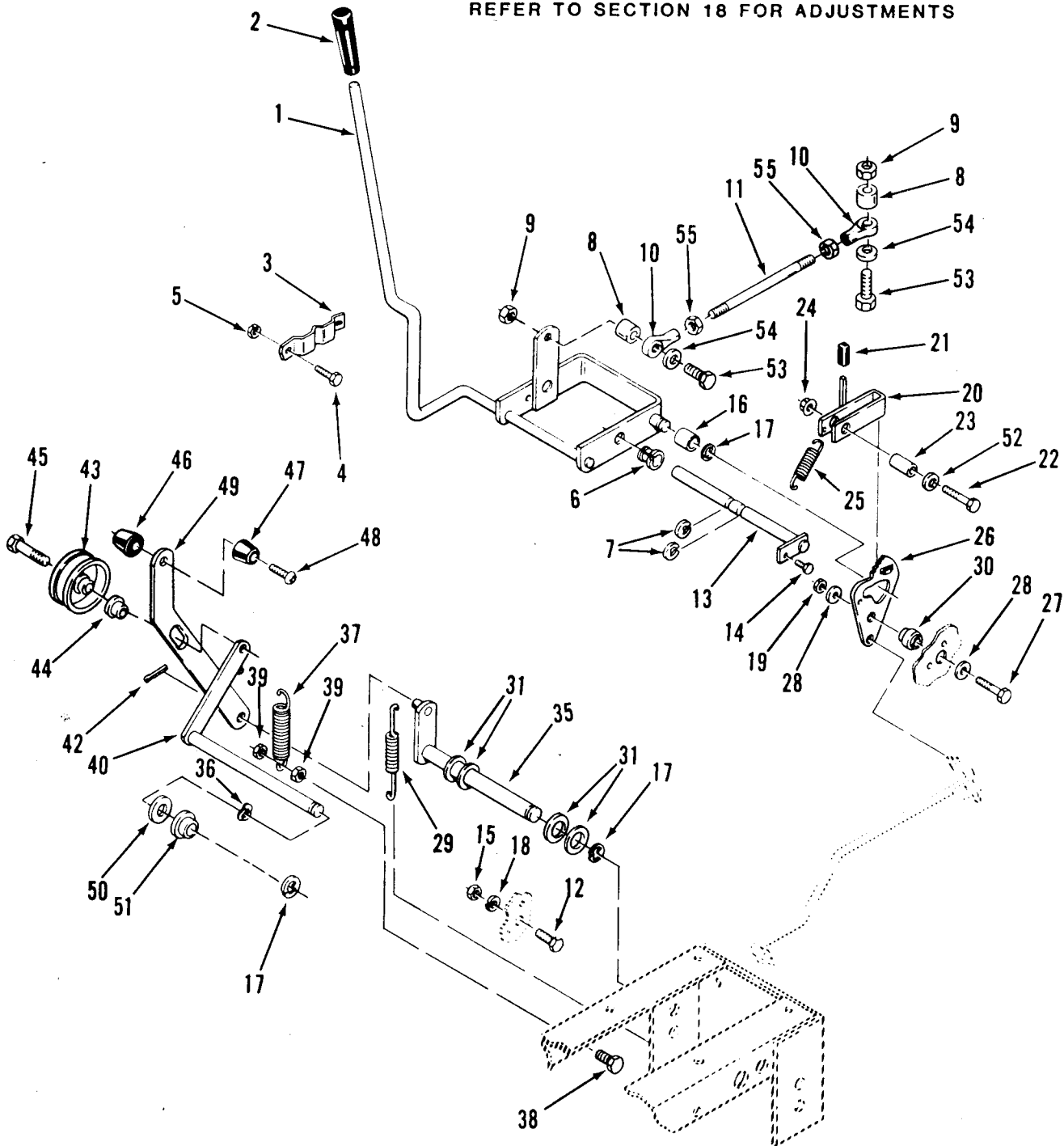


Figure 6-1 Clutch, Brake and Speed Control Linkage

| ITEM | PART NUMBER | DESCRIPTION | Automatic 8-Speed |
|---|-------------|-------------------------------------|----------------------|
| Figure 6-1 CLUTCH, BRAKE AND SPEED CONTROL LINKAGE | | | |
| 1 | 106719 | Brake Drum..... | 1 |
| 2 | 908034 | Nylok Bolt 3/8-16 x 1..... | 1 |
| 3 | 2844 | Special Washer..... | 1 |
| 4 | 9593 | Brake Band..... | 1 |
| 5 | 908002 | Bolt 1/4-20 x 5/8..... | 2 |
| 6 | 920081 | Lockwasher 1/4..... | 2 |
| 7 | 9598 | Back-Up Plate..... | 1 |
| 8 | 110902 | Pedal-Clutch..... | 1 |
| 9 | 110901 | Pedal-Brake..... | 1 |
| 10 | 1085 | Collar..... | 2 |
| 11 | 909848 | Set Screw 1/4-20 x 1/4 Cup Pt. | 2 |
| 12 | 7896 | Bowed Washer..... | 1 |
| 13 | 1278 | Shim Washer 3/4 x .050..... | X |
| 14 | 103347 | Clutch Rod..... | 1 |
| 15 | 932008 | Cotter Pin 3/32 x 3/4..... | 1 |
| 16 | 110507 | Clutch Idler Arm..... | 1 |
| 17 | 933190 | Spirol Pin 3/16 x 1 1/4..... | 1 |
| 18 | 105896 | Clutch Rod Arm..... | 1 |
| 19 | 920248 | Nylon Washer 3/8..... | 1 |
| 20 | 932016 | Cotter Pin 1/8 x 3/4..... | 1 |
| 21 | 3765 | Shim Washer 1/2 x .030..... | X |
| 22 | 101161 | Trunnion-Clutch Rod..... | 1 |
| 23 | 103543 | Bell Crank-Brake Linkage..... | 1 |
| 24 | 7879 | Bushing..... | 2 |
| 25 | 920011 | Washer 1/2 SAE..... | 1 |
| 26 | 106417 | Rod-Bell Crank Pivot..... | 1 |
| 27 | 926694 | S.T. Bolt 5/16-18 x 5/8..... | 1 |
| 28 | 105900 | Brake Rod-Rear..... | 1 |
| 29 | 105886 | Brake Rod-Front..... | 1 |
| 30 | 920248 | Nylon Washer..... | 2 |
| 31 | 932016 | Cotter Pin 1/8 x 3/4..... | 1 |
| 32 | 915663 | E.S. Nut 3/8-16..... | 1 |
| 33 | 933504 | Hairpin Cotter..... | 2 |
| 34 | 106451 | Parking Brake Lever..... | 1 |
| 35 | 6820 | Grip..... | 1 |
| 36 | 102025 | Spacer..... | 1 |
| 37 | 908037 | Bolt 3/8-16 x 1 3/4..... | 1 |
| 38 | 920009 | Washer 3/8 SAE..... | 1 |
| 39 | 102809 | Special Nut..... | 1 |
| 40 | 107677 | Spring-Brake Return..... | 1 |
| 41 | 103628 | Spring-Parking Brake Return..... | 1 |
| 42 | 7451 | Idler Pulley..... | 1 |
| 43 | 106193 | Special Bolt 3/8-16 x 1 1/2..... | 1 |
| 44 | 915113 | Eslok Nut 3/8-16..... | 1 |
| 48 | 108035 | Spring-Clutch Return..... | 1 |
| 49 | 920225 | Special Washer..... | 1 |
| 50 | 933267 | Spirol Pin 5/32 x 1 1/4..... | 1 |
| 51 | 920009 | Washer 3/8 SAE..... | 1 |

REFER TO SECTION 18 FOR ADJUSTMENTS



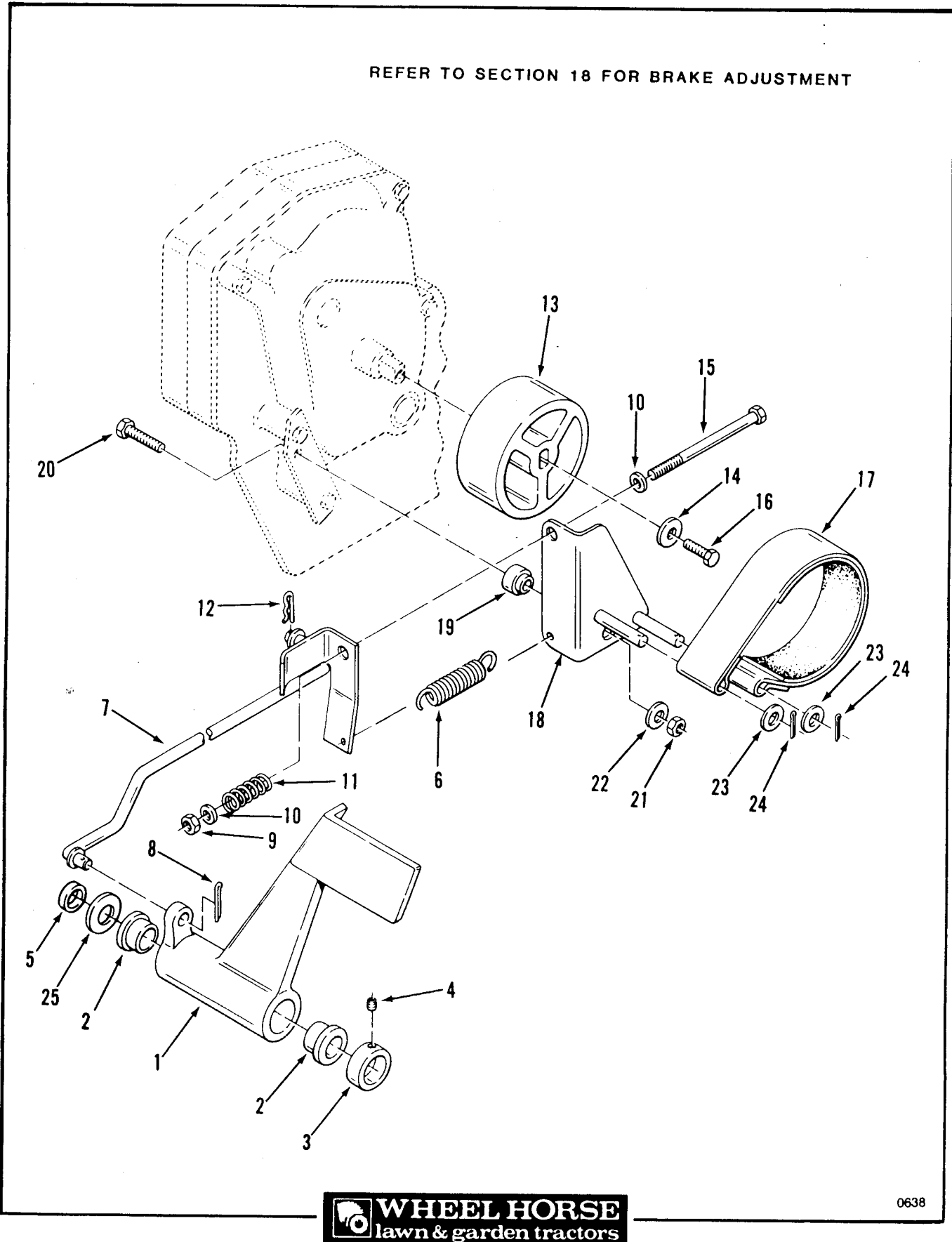
0644

Figure 6-2 Clutch, Brake and Speed Control Linkage

SECTION 6 - CLUTCH, BRAKE AND MOTION CONTROL LINKAGE

19

| ITEM | PART NUMBER | DESCRIPTION | Automatic 8-Speed |
|------|-------------|---|----------------------|
| | | Figure 6-2 | |
| | | CLUTCH, BRAKE & SPEED CONTROL LINKAGE - 300/400 | |
| 1 | 110787 | Motion Control Lever..... | 1 |
| 2 | 6129 | Knob-Motion Control Linkage..... | 1 |
| 3 | 106319 | Detent-Motion Control Lever..... | 1 |
| 4 | 908015 | Bolt 5/16-18 x 1/2..... | 2 |
| 5 | 915112 | Eslok Nut 5/16-18..... | 2 |
| 6 | 5983 | Bushing..... | 2 |
| 7 | 5701 | E-Ring..... | 2 |
| 8 | 100304 | Spacer 417-A Only..... | 2 |
| 10 | 110189 | Rod End..... | 2 |
| 11 | 110943 | Rod Control 9.9" long 314-A Only..... | 1 |
| | 108904 | Rod Control 9" long 417-A Only..... | 1 |
| 12 | 908003 | Bolt 1/4-20 x 3/4..... | 1 |
| 13 | 108496 | Pivot Rod-Motion Control Lever..... | 1 |
| 14 | 926694 | S.T. Bolt 5/16-18 x 5/8..... | 1 |
| 15 | 915234 | Nut 1/4-20..... | 1 |
| 16 | 100656 | Cam Bearing..... | 1 |
| 17 | 5701 | E-Ring 1/2..... | 4 |
| 18 | 920122 | Lockwasher 1/4 External Tooth..... | 1 |
| 19 | 915113 | Eslok Nut 3/8-16..... | 1 |
| 20 | 106325 | Parking Brake Lever..... | 1 |
| 21 | 100489 | Grip-Parking Brake Lever..... | 1 |
| 22 | 908037 | Bolt 3/8-16 x 1 3/4..... | 1 |
| 23 | 102025 | Spacer..... | 1 |
| 24 | 102809 | Special Flanged Nut..... | 1 |
| 25 | 1230 | Spring..... | 1 |
| 26 | 108716 | Cam Plate..... | 1 |
| 27 | 908035 | Bolt 3/8-16 x 1 1/4..... | 1 |
| 28 | 920039 | Washer 3/8 SAE..... | 2 |
| 29 | 110769 | Spring Anti-Rattle..... | 1 |
| 30 | 108717 | Spacer..... | 1 |
| 31 | 920011 | Washer 1/2 SAE..... | 1 |
| 35 | 106369 | Shaft..... | 1 |
| 36 | 108473 | Wave Washer..... | 2 |
| 37 | 107938 | Spring..... | 1 |
| 38 | 908005 | Bolt 1/4-20 x 1..... | 1 |
| 39 | 915111 | Eslok Nut 1/4 x 20..... | 4 |
| 40 | 106368 | Pivot Rod..... | 1 |
| 41 | 110066 | Wave Washer..... | 1 |
| 42 | 932001 | Cotter Pin 1/16 x 3/4..... | 1 |
| 43 | 7434 | Idler Pulley..... | 1 |
| 44 | 106450 | Spacer..... | 1 |
| 45 | 106193 | Special Bolt 3/8-16 x 1 1/2..... | 1 |
| 46 | 8722 | Knob..... | 1 |
| 47 | 8693 | Knob..... | 1 |
| 48 | 911747 | Screw #10-24 x 1 1/4..... | 1 |
| 49 | 110780 | Handle..... | 1 |
| 50 | 920263 | Washer 1/2 SAE 314-A..... | 1 |
| | 920011 | Washer 1/2 SAE 417-A..... | 1 |
| 51 | 7879 | Bushing..... | 1 |
| 52 | 920009 | Washer 3/8 SAE..... | 1 |
| 53 | 908005 | Bolt 1/4-20 x 1 1/2 314-A..... | 2 |
| | 908007 | Bolt 1/4-20 x 1 1/2 417-A..... | 2 |
| 54 | 920007 | Washer 1/4 SAE..... | 2 |
| 55 | 915083 | Jam Nut 1/4-28..... | 2 |



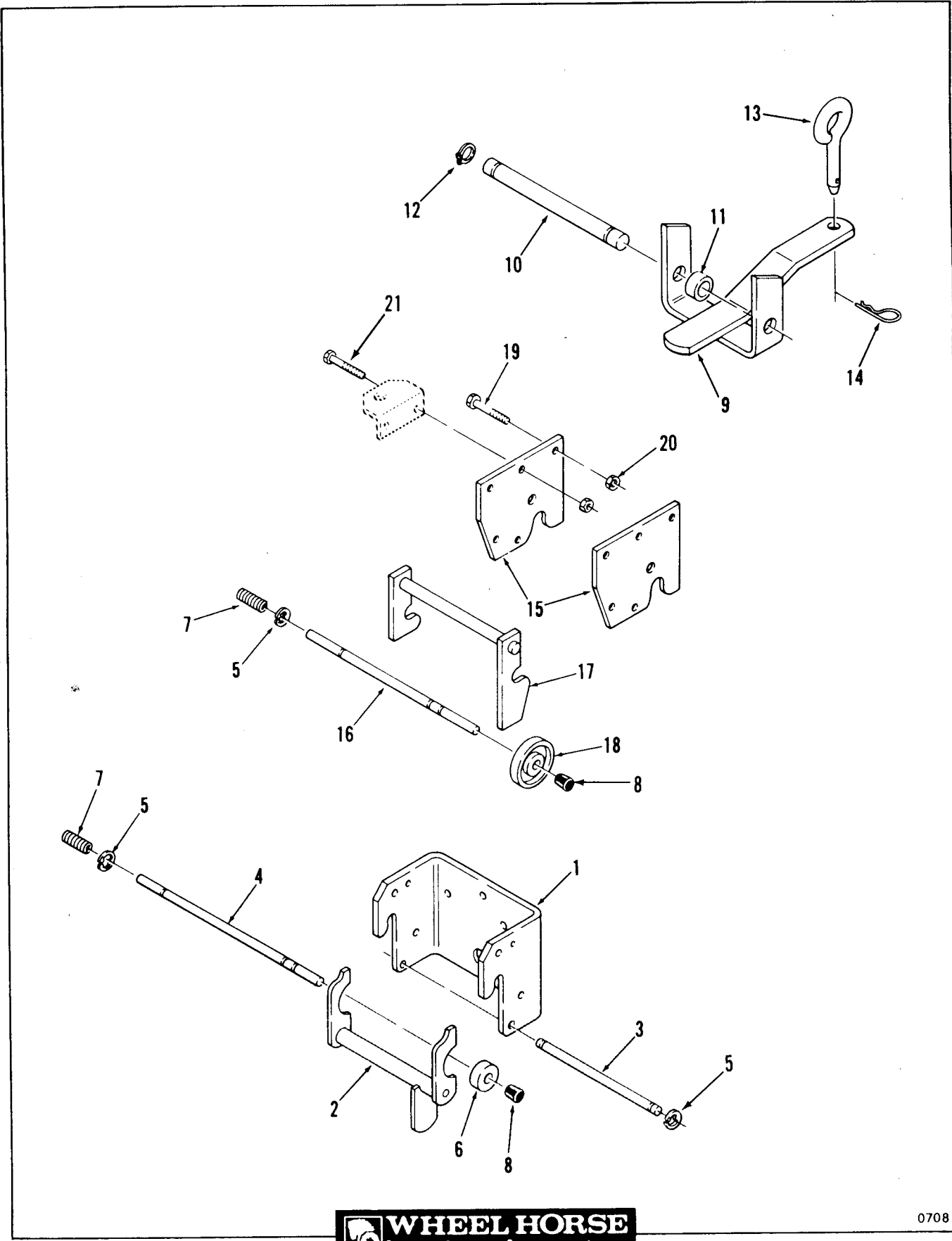
0638

Figure 6-3 Clutch, Brake and Speed Control Linkage

SECTION 6 - CLUTCH, BRAKE AND MOTION CONTROL LINKAGE

21

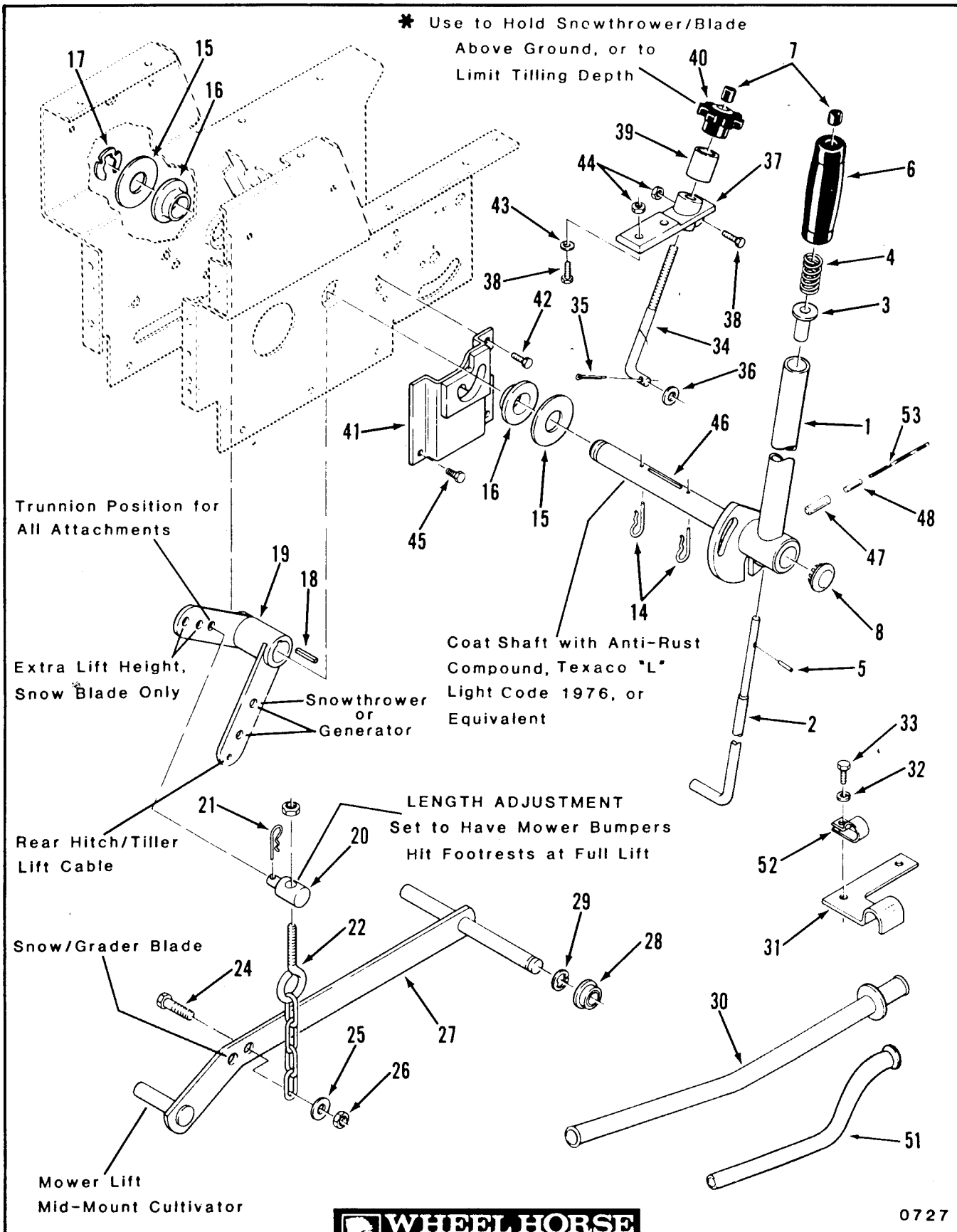
| ITEM | PART NUMBER | DESCRIPTION | Automatic 8-Speed |
|------|-------------|---|----------------------|
| | | Figure 6-3 CLUTCH, BRAKE & SPEED CONTROL LINKAGE - 300/400 | |
| 1 | 110225 | Brake/Return To Neutral Pedal..... | 1 |
| 2 | 6254 | Bushing..... | 2 |
| 3 | 1085 | Collar..... | 1 |
| 4 | 909848 | Set Screw 1/4-20 x 1/4 Cup Pt. | 1 |
| 5 | 102236 | Spacer 314-A Only..... | 1 |
| | 110126 | Spacer 417-A Only..... | 1 |
| 6 | 103125 | Spring-Brake Return..... | 1 |
| 7 | 110950 | Brake Rod-Front 314-A Only..... | 1 |
| | 109372 | Brake Rod-Front 417-A Only..... | 1 |
| 8 | 932017 | Cotter Pin 1/8 x 1..... | 1 |
| 9 | 915663 | E.S. Nut 3/8-16..... | 1 |
| 10 | 920009 | Washer 3/8 SAE..... | 2 |
| 11 | 108680 | Spring..... | 1 |
| 12 | 933503 | Hairpin Cotter..... | 1 |
| 13 | 106719 | Brake Drum..... | 1 |
| 14 | 2844 | Special Washer..... | 1 |
| 15 | 908144 | Bolt 3/8-16 x 4 1/2..... | 1 |
| 16 | 908034 | Eslok Bolt 3/8-16 x 1..... | 1 |
| 17 | 109371 | Brake Band..... | 1 |
| 18 | 109366 | Brake Pivot Arm..... | 1 |
| 19 | 109356 | Bushing..... | 1 |
| 20 | 908036 | Bolt 3/8-16 x 1 1/2..... | 1 |
| 21 | 915113 | Eslok Nut 3/8-16..... | 1 |
| 22 | 920039 | Washer 3/8 U.S. | 1 |
| 23 | 920009 | Washer 3/8 SAE..... | 2 |
| 24 | 932008 | Cotter Pin 3/32 x 3/4..... | 2 |
| 25 | 1278 | Shim Washer..... | 1 |



0708

Figure 7-1 Hitches

| ITEM | PART NUMBER | DESCRIPTION | Automatic | |
|------|----------------|---------------------------|-----------|---|
| | | | 8-Speed | |
| | | Figure 7-1 HITCHES | | |
| 1 | 101711 | Front Hitch Housing..... | 1 | 1 |
| 2 | 105859 | Latch-Front Hitch..... | 1 | 1 |
| 3 | 101750 | Rod..... | 1 | 1 |
| 4 | 101751 | Rod-Front Hitch Lock..... | 1 | 1 |
| 5 | 105797 | E-Ring..... | 8 | 8 |
| 6 | 101707 | Lock..... | 1 | 1 |
| 7 | 8616 | Spring..... | 2 | 2 |
| 8 | 105316 | Cap-Lock Rod..... | 2 | 2 |
| 9 | 1644 | Drawbar Hitch..... | 1 | 1 |
| 10 | 105269 | Shaft-Drawbar Hitch..... | 1 | 1 |
| 11 | 979120 | Spacer..... | 2 | 2 |
| 12 | 5618 | E-Ring..... | 2 | 2 |
| 13 | 106634 | Hitch Pin..... | 1 | 1 |
| 14 | 933505 | Hairpin Cotter..... | 1 | 1 |
| 15 | 102644 | Mid Hitch Plate..... | 2 | 2 |
| 16 | 102672 | Rod-Mid Hitch Lock..... | 1 | 1 |
| 17 | 102639 | Latch-Mid Hitch..... | 1 | 1 |
| 18 | 101017 | Lock..... | 1 | 1 |
| 19 | 908034 | Bolt 3/8-16 x 1..... | 3 | 3 |
| 20 | 915113 | Eslok Nut 3/8-16..... | 5 | 5 |
| 21 | 908035 | Bolt 3/8-16 x 1 1/4..... | 2 | 2 |



0727

Figure 7-2 Lift Linkage

| ITEM | PART NUMBER | DESCRIPTION | Automatic | |
|------|-------------|--|-----------|---|
| | | | 8-Speed | |
| | | Figure 7-2 | | |
| | | MANUAL LIFT LINKAGE | | |
| 1 | 108563 | Lift Lever (Includes Items 46, 47, 48)..... | 1 | 1 |
| 2 | 106257 | Latch Rod..... | 1 | 1 |
| 3 | 8130 | Spring Retainer..... | 1 | 1 |
| 4 | 3624 | Spring..... | 1 | 1 |
| 5 | 933148 | Spirol Pin 1/8 x 1/2..... | 1 | 1 |
| 6 | 6542 | Grip-Lift Lever..... | 1 | |
| 7 | 105316 | Rod Cap..... | 1 | 1 |
| | | (416-8,417-8)..... | 2 | |
| 8 | 4944 | Plug Button..... | 1 | |
| 14 | 933507 | Hairpin Cotter..... | 2 | 2 |
| 15 | 920017 | Washer 1 in. SAE..... | 3 | 3 |
| 16 | 106269 | Bushing..... | 2 | 2 |
| 17 | 106414 | Retainer..... | 1 | 2 |
| 18 | 1121 | Key 1/4 Sq. x 1 3/16..... | 1 | 1 |
| 19 | 106218 | Bellcrank..... | 1 | 1 |
| 20 | 104627 | Trunnion..... | 1 | 1 |
| 21 | 933504 | Hairpin Cotter..... | 1 | 1 |
| 22 | 106522 | Lift Chain..... | 1 | 1 |
| 24 | 908019 | Bolt 5/16-18 x 1..... | 1 | 1 |
| 25 | 920008 | Washer 5/16..... | 1 | 1 |
| 26 | 915112 | Eslok Nut 5/16-18..... | 1 | 1 |
| 27 | 102373 | Lift Bar..... | 1 | 1 |
| 28 | 6229 | Bearing..... | 1 | 1 |
| 29 | 5701 | E-Ring..... | 1 | 1 |
| 30 | 105845 | Tube-Rear Lift Cable..... | 1 | |
| 31 | 108903 | Clamp-Tube..... | 1 | 1 |
| 32 | 920083 | Lockwasher 3/8..... | 2 | |
| 33 | 908032 | Bolt 3/8-16 x 3/4..... | 2 | |
| 33 | 908034 | Eslok Bolt 3/8-16 x 1..... | | 2 |
| 34 | 110653 | Rod-Height Control 416-8,417-8 Only..... | 1 | |
| 35 | 932016 | Cotter Pin 1/8 x 3/4 416-8,417-8 Only..... | 1 | |
| 36 | 920228 | Special Washer 416-8,417-8 Only..... | 1 | |
| 37 | 106345 | Height Control Casting 416-8,417-8 Only..... | 1 | |
| 38 | 908019 | Bolt 5/16-18 x 1 416-8,417-8 Only..... | 3 | |
| 39 | 106258 | Sleeve 416-8,417-8 Only..... | 1 | |
| 40 | 5280 | Knob-Height Control 416-8,417-8 Only..... | 1 | |
| 41 | 106411 | Latch Bracket..... | 1 | 1 |
| 42 | 926694 | S.T. Bolt 5/16-18 x 5/8..... | 1 | 1 |
| 43 | 920008 | Washer 5/16 SAE 416-8,417-8 Only..... | 2 | |
| 44 | 915112 | Eslok Nut 5/16-18 416-8,417-8 Only..... | 3 | |
| 45 | 926696 | S.T. Bolt 5/16-18 x 7/8..... | 2 | |
| 46 | 108565 | Shaft..... | 1 | 1 |
| 47 | 933268 | Spirol Pin..... | 1 | 1 |
| 48 | 933230 | Roll Pin..... | 1 | 1 |
| 51 | 108315 | Tube-Rear Lift Cable..... | | 1 |
| 52 | 8830 | Clamp..... | | 1 |
| 53 | 111154 | Lock Wire..... | 1 | 1 |

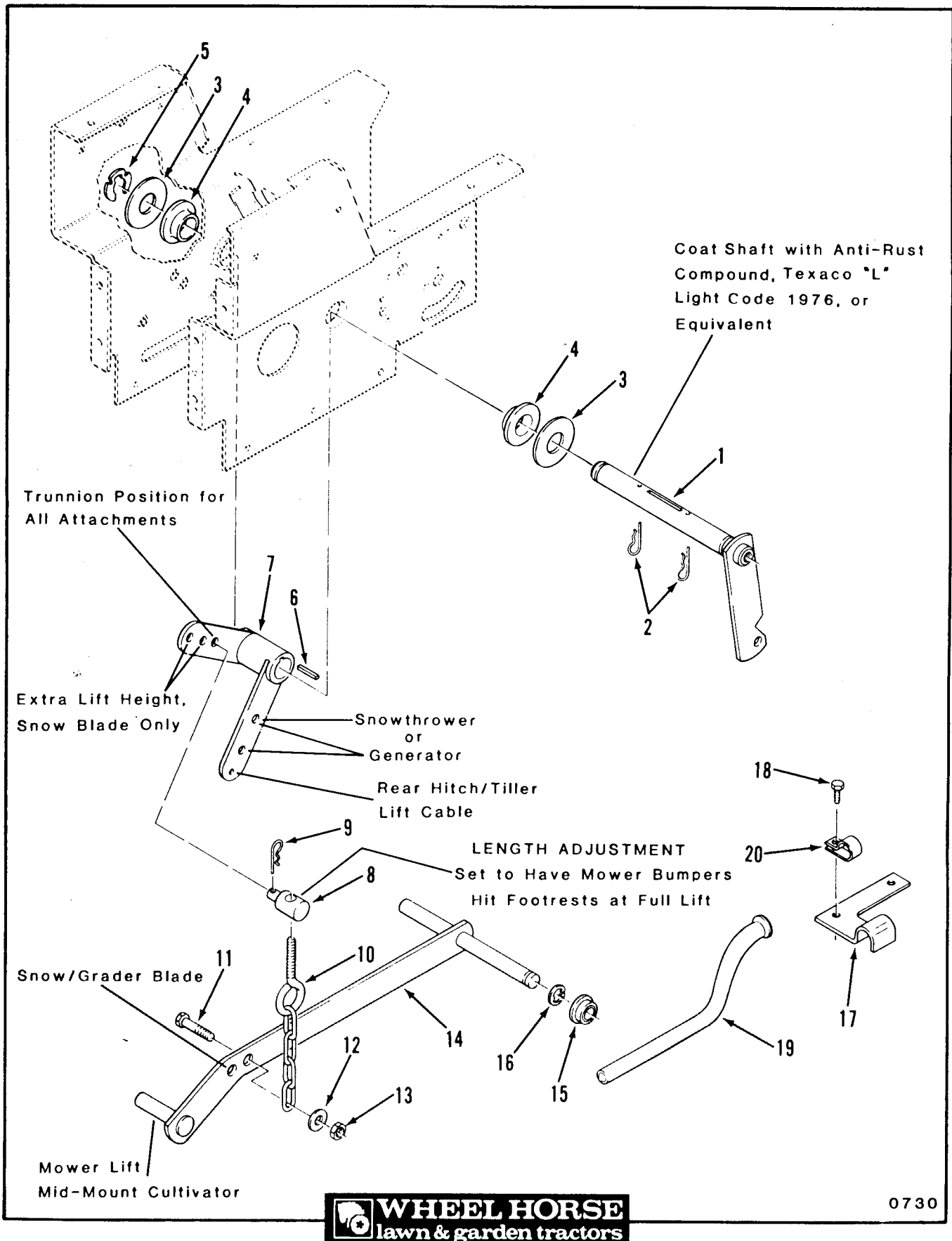
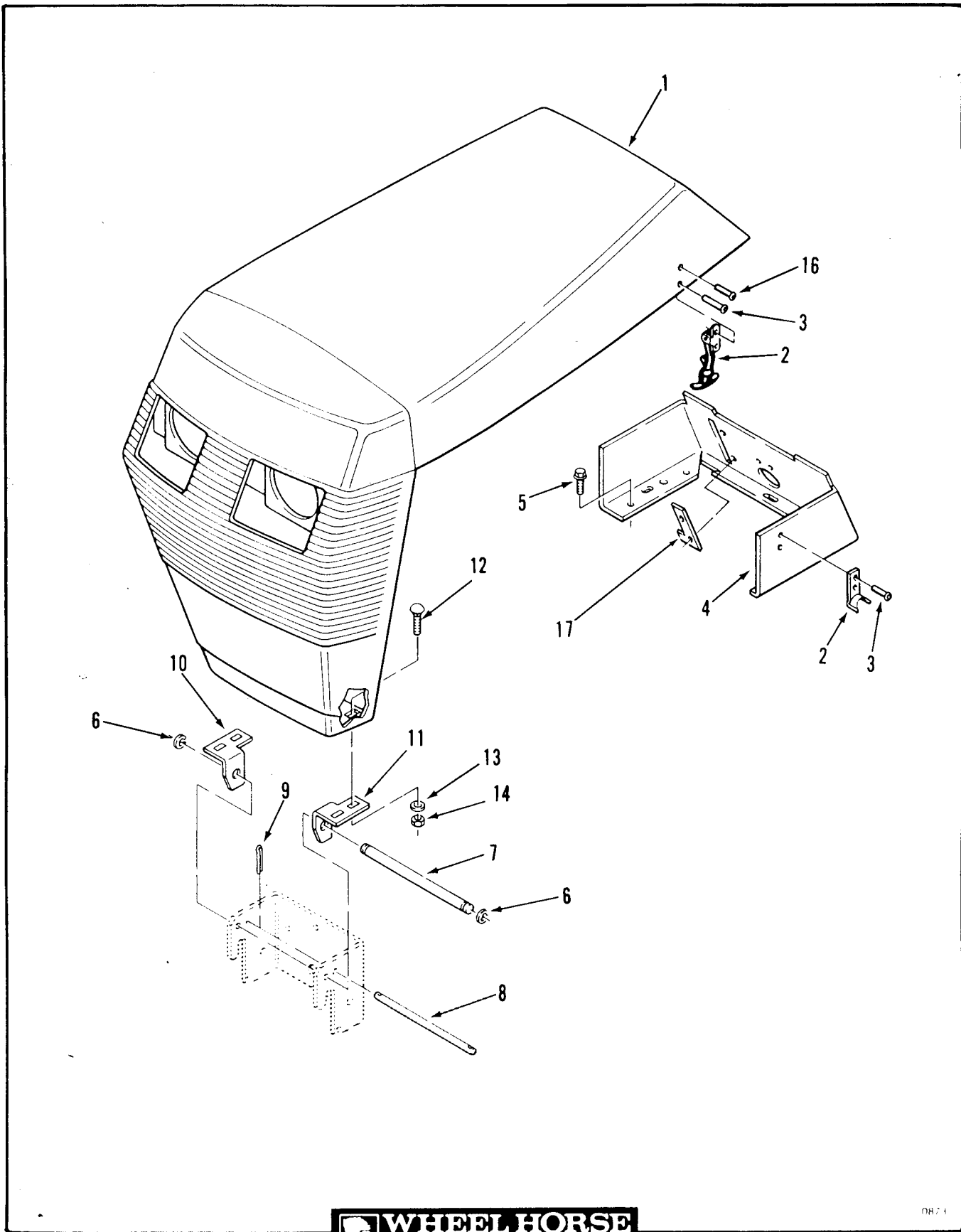


Figure 7-2 Hydraulic Lift Linkage

SECTION 7 - HITCHES AND LIFT LINKAGE

27

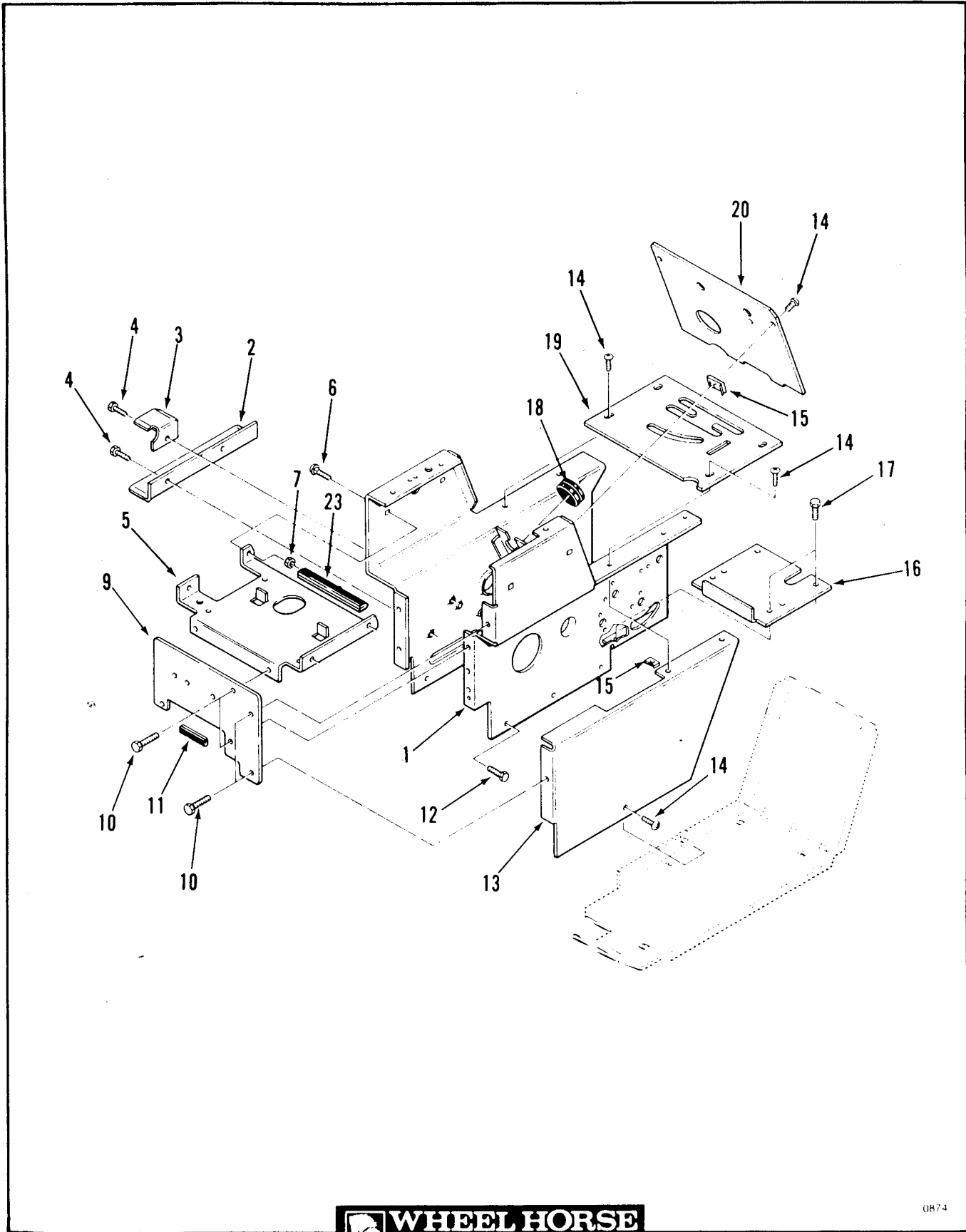
| ITEM | PART NUMBER | DESCRIPTION | Automatic |
|------|----------------|-------------------------------------|-----------|
| | | | 8-Speed |
| | | Figure 7-3 | |
| | | HYDRAULIC LIFT LINKAGE - 400 SERIES | |
| 1 | 109320 | Lift lever..... | 1 |
| 2 | 933507 | Hairpin Cotter..... | 2 |
| 3 | 920017 | Washer 1" SAE..... | 3 |
| 4 | 106269 | Bushing..... | 2 |
| 5 | 106416 | Retainer..... | 2 |
| 6 | 1121 | Key 1/4 sq. x 1 3/16..... | 1 |
| 7 | 106218 | Bellcrank..... | 1 |
| 8 | 104627 | Trunnion..... | 1 |
| 9 | 933504 | Cotter Hairpin..... | 1 |
| 10 | 106522 | Lift Chain..... | 1 |
| 11 | 908019 | Bolt 5/16-18 x 1..... | 1 |
| 12 | 920008 | Washer 5/16..... | 1 |
| 13 | 915112 | Eslok Nut 5/16-18..... | 1 |
| 14 | 102373 | Lift Bar..... | 1 |
| 15 | 6229 | Bearing..... | 1 |
| 16 | 5701 | E-Ring..... | 1 |
| 17 | 108903 | Clamp Tube..... | 1 |
| 18 | 908034 | Eslok Bolt 3/8-19 x 1..... | 2 |
| 19 | 108315 | Tube - Rear Lift Cable..... | 1 |
| 20 | 8830 | Clamp..... | 1 |



OR 74

Figure 8-1 Sheet Metal and Covers

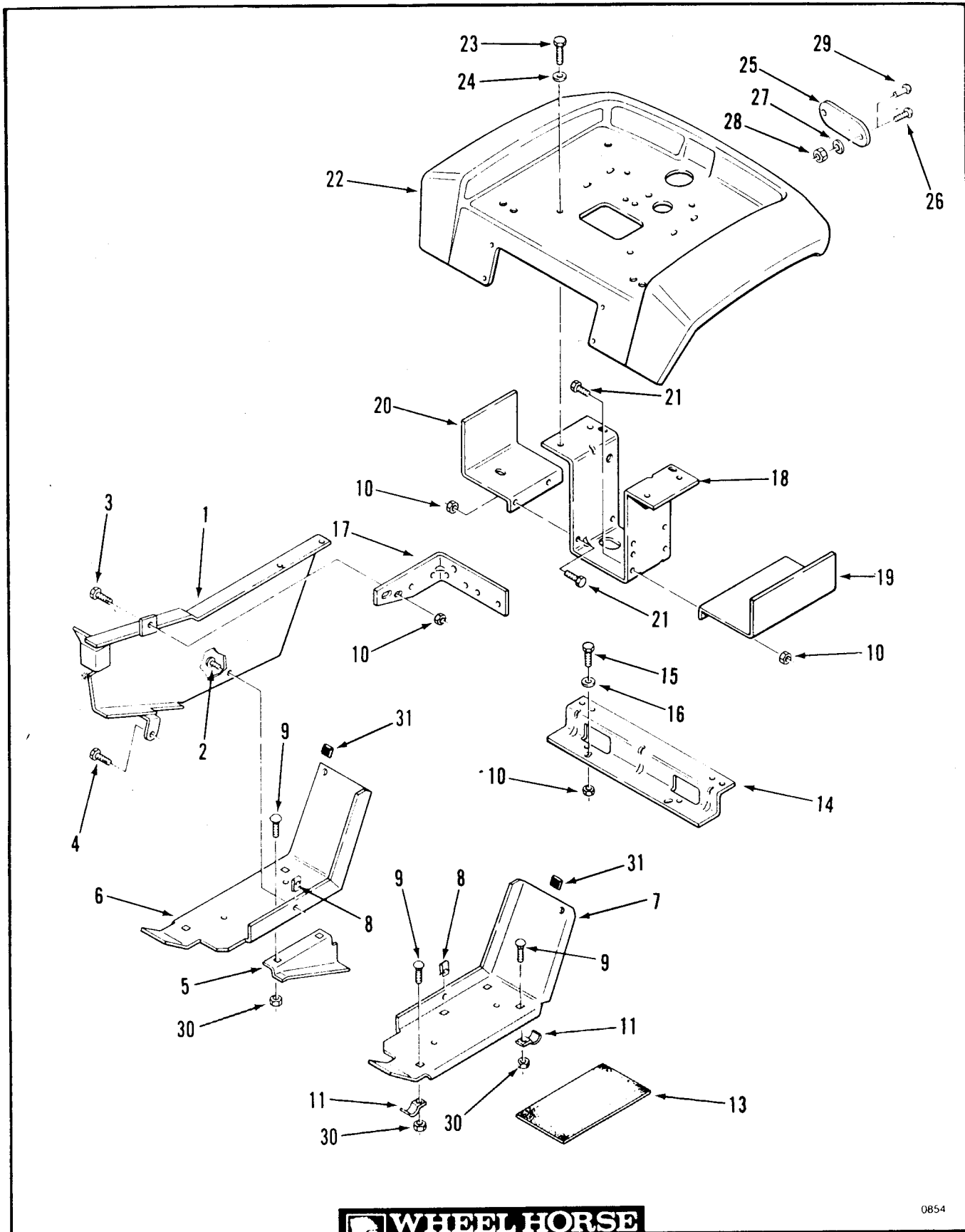
| ITEM | PART NUMBER | DESCRIPTION | Automatic | |
|------|----------------|--|-----------|---|
| | | | 8-Speed | |
| | | Figure 8-1 SHEET METAL AND COVERS | | |
| 1 | 110136 | Hood..... | 1 | 1 |
| 2 | 106825 | Hood Latch | 2 | 2 |
| 3 | 923785 | Pop Rivet 1/8 x .294..... | 4 | 4 |
| 4 | 110129 | Console..... | 1 | 1 |
| 5 | 926694 | Washer Hd. S.T. Bolt 5/16-18 x 5/8..... | 3 | 3 |
| 6 | 105797 | E-Ring..... | 2 | 2 |
| 7 | 101710 | Pivot Rod..... | 1 | 1 |
| 8 | 101850 | Pivot Rod..... | 1 | 1 |
| 9 | 932000 | Cotter Pin 1/16 x 1/2..... | 2 | 2 |
| 10 | 109145 | Bracket RH..... | 1 | 1 |
| 11 | 109146 | Bracket LH..... | 1 | 1 |
| 12 | 900015 | Carriage Bolt 1/4-20 x 3/4..... | 4 | 4 |
| 13 | 920007 | Washer 1/4 SAE..... | 4 | 4 |
| 14 | 915111 | Eslok Nut 1/4-20..... | 4 | 4 |
| 16 | 923784 | Pop Rivet 1/8 x .232..... | 2 | 2 |
| 17 | 111182 | Throttle Stop Single Cyl. Tractors Only..... | 1 | 1 |



0874

Figure 8-2 Sheet Metal and Covers

| ITEM | PART NUMBER | DESCRIPTION | Automatic | |
|--------------------------------------|-------------|--|-----------|---|
| | | | 8-Speed | |
| Figure 8-2 SHEET METAL AND COVERS | | | | |
| 1 | 109765 | Hoodstand..... | 1 | 1 |
| 2 | 106209 | Belt Support Bracket..... | | 1 |
| 3 | 106261 | Belt Bracket..... | 1 | |
| 3 | 108537 | Belt Bracket..... | | 1 |
| 4 | 926694 | S.T. Bolt 5/16-18 x 5/8..... | 1 | 4 |
| 5 | 110094 | Battery Support Bracket..... | 1 | 1 |
| 6 | 900036 | Carriage Bolt 5/16-18 x 1/2..... | 4 | 4 |
| 7 | 915112 | Eslok Nut 5/16-18..... | 4 | 4 |
| 9 | 106342 | Front Plate..... | 1 | 1 |
| 10 | 926694 | S.T. Bolt 5/16-18 x 5/8..... | 6 | 6 |
| 11 | 106454 | Edge Trim..... | 1 | 1 |
| 12 | 926694 | S.T. Bolt 5/16-18 x 5/8..... | 4 | 6 |
| | 926696 | S.T. Bolt 5/16-18 x 7/8..... | 2 | |
| 13 | 109323 | Side Cover LH..... | 1 | |
| | 109322 | Side Cover LH..... | | 1 |
| 14 | 910837 | Screw 1/4-20 x 5/8..... | 6 | 4 |
| 15 | 107069 | Speed Nut..... | 6 | 6 |
| 16 | 106250 | Dust Cover 310-8,312-8,314-8,416-8,417-8,417-A | 1 | 1 |
| 17 | 926694 | S.T. Bolt 5/16-18 x 5/8..... | 4 | 4 |
| 18 | 104248 | Grommet..... | 1 | 1 |
| 19 | 109155B | Shift Cover Plate 310-8,312-8,314-8 Only..... | 1 | |
| | 110092 | Shift Cover Plate 314-A Only..... | | 1 |
| | 107608 | Shift Cover Plate 416-8,417-8..... | 1 | |
| | 110650 | Shift Cover Plate 417-A..... | | 1 |
| 20 | 110720 | Hoodstand Plate 310-8..... | 1 | |
| | 109149B | Hoodstand Plate 312-8..... | 1 | |
| | 111033 | Hoodstand Plate 314-8,314-A..... | 1 | 1 |
| | 110520 | Hoodstand Plate 416-8..... | 1 | |
| | 111034 | Hoodstand Plate 417-8..... | 1 | |
| | 110098 | Hoodstand Plate 417-A..... | | 1 |
| 22 | 920008 | Washer 5/16 SAE..... | 2 | 2 |
| 23 | 110142 | Edge Trim..... | 1 | 1 |



0854

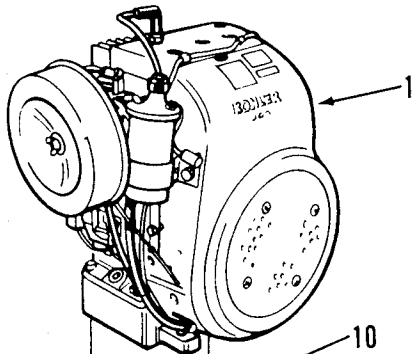
Figure 8-3 Sheet Metal and Covers

SECTION 8 - SHEET METAL AND COVERS

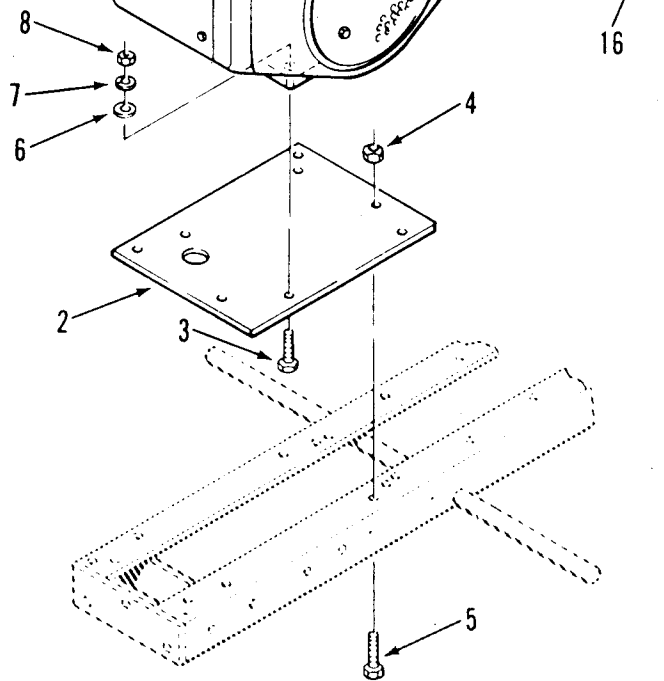
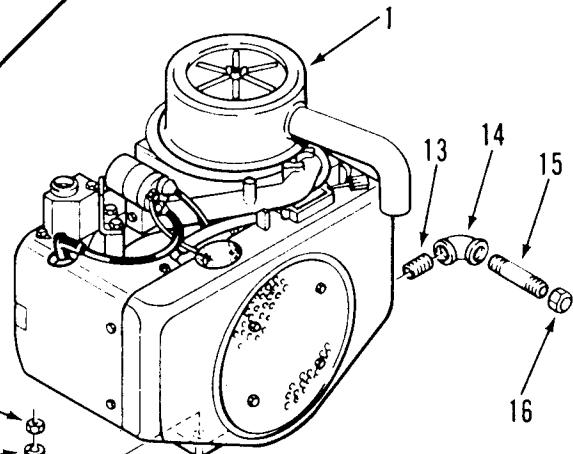
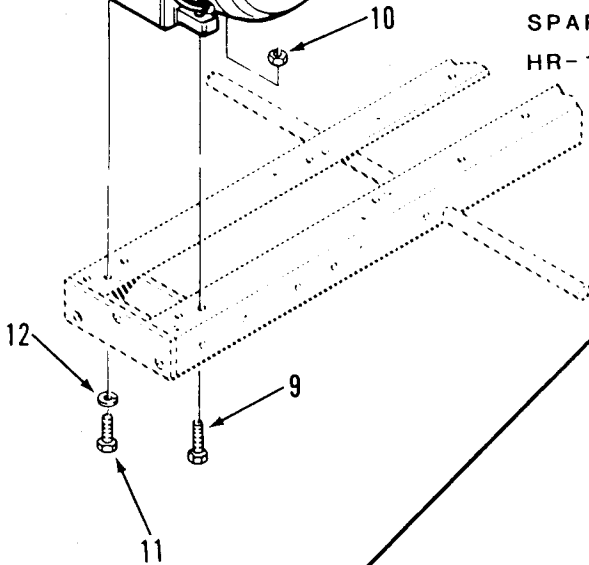
33 .

| ITEM | PART NUMBER | DESCRIPTION | Automatic | |
|------|-------------|---|-----------|---|
| | | | 8-Speed | |
| | | Figure 8-3 | | |
| | | SHEET METAL AND COVERS | | |
| 1 | 107975 | Belt Guard..... | 1 | 1 |
| 2 | 910837 | Screw 1/4-20 x 5/8..... | 1 | 1 |
| 3 | 908017 | Bolt 5/16-18 x 3/4..... | 1 | 1 |
| 4 | 926694 | S.T. Bolt 5/16-18 x 5/8..... | 1 | 1 |
| 5 | 106352 | Lower Belt Guard..... | 1 | |
| 6 | 106222 | Foot Rest RH..... | 1 | 1 |
| 7 | 106223 | Foot Rest LH..... | 1 | 2 |
| 8 | 107069 | Speed Nut..... | 2 | 2 |
| 9 | 900037 | Carriage Bolt 5/16-18 x 5/8..... | 6 | 4 |
| 10 | 915112 | Eslok Nut 5/16-18..... | 7 | 7 |
| 11 | 7456 | Clamp..... | 4 | 4 |
| 13 | 106264 | Footrest Pad 310-8,312-8..... | 2 | |
| | 110636 | Footrest Pad 314-8,416-8,417-8..... | 2 | |
| | 110635 | Footrest Pad LH 314-A,417-A..... | | 1 |
| | 110634 | Footrest Pad RH 314-A,417-A..... | | 1 |
| 14 | 107951 | Fender Bracket-Front..... | 1 | 1 |
| 15 | 908017 | Bolt 5/16-18 x 3/4..... | 2 | 2 |
| 16 | 920008 | Washer 5/16 SAE..... | 2 | 2 |
| 17 | 108823 | Support Bracket-Belt Guard..... | 1 | 1 |
| 18 | 108897 | Fender Support Bracket..... | 1 | 1 |
| 19 | 108464 | Fuel Tank Support LH..... | 1 | 1 |
| 20 | 106236 | Fuel Tank Support RH..... | 1 | 1 |
| 21 | 908016 | Bolt 5/16-18 x 5/8..... | 4 | 4 |
| 22 | 110960 | Fender..... | 1 | 1 |
| 23 | 913462 | S.T. Bolt 5/16-18 x 5/8..... | 4 | 4 |
| 24 | 920008 | Washer 5/16 SAE..... | 4 | 4 |
| 25 | 108547 | Reflector 310-8,312-8,416-8 Only..... | 2 | |
| 26 | 910808 | Screw #10-32 x 5/8 (Optional) 310,312,416..... | 4 | |
| 27 | 920079 | Lockwasher #10 (Optional) 310,312,416..... | 4 | |
| 28 | 915551 | Nut #10-32 (Optional) 310,312,416..... | 4 | |
| 29 | 109193 | Poprivet 3/16 x .57 Aluminum (Std. Production) 310,312,416 Only | 4 | |
| 30 | 915662 | Eslok Nut 5/16-18..... | 6 | 4 |
| 31 | 518211 | Bumper..... | 2 | 2 |

REFER TO SECTION 18 FOR ADJUSTMENTS



SERVICE INTERVALS
 OIL CHANGE - 25 HRS.
 OIL CAP. 2 QTS.
 AIR FILTER - 25 HRS
 (REPLACE 100 HRS.)
 SPARK PLUG - 100 HRS.
 HR-10, GAP .035



SERVICE INTERVALS
 OIL CHANGE - 25 HRS.
 OIL CAP. 1 1/2 QTS.
 AIR FILTER - 25 HRS.
 (REPLACE 100 HRS.)
 SPARK PLUG - 100 HRS.
 RBL-15Y, GAP .025

REFER TO KOHLER MANUALS FOR ADDITIONAL SERVICE & ADJUSTMENT PROCEDURES



0980

Figure 9-1 Engines

| ITEM | PART NUMBER | DESCRIPTION | Automatic 8-Speed | |
|------|-------------|--|----------------------|---|
| | | Figure 9-1 ENGINES | | |
| 1 | 110657* | Engine - 10HP - Kohler K-241-S Spec PS-46849.. | X | |
| | 110658* | Engine - 12HP - Kohler K-301-S Spec PS-47812.. | X | |
| | 110659* | Engine - 14HP - Kohler K-321-S Spec PS-60424.. | X | X |
| | 110660* | Engine - 16HP - Kohler K-341-S Spec PS-71371.. | X | |
| | 110671* | Engine - 17HP - Kohler KT-170S Spec PS-24340.. | X | |
| | 110672* | Engine - 17HP - Kohler KT-170S Spec PS-24350.. | | X |
| 2 | 110649 | Engine Plate 417-8,417-A Only..... | X | X |
| 3 | 908034 | Bolt 3/8-16 x 1 310,312,314,416..... | 4 | 4 |
| | 908035 | Bolt 3/8-16 x 1 1/4 417 Only..... | 4 | 4 |
| 4 | 915663 | Nut 3/8-16 E.S..... | 4 | 4 |
| 5 | 908035 | Bolt 3/8-16 x 1 1/4..... | 4 | 4 |
| 6 | 920009 | Washer 3/8 SAE..... | 4 | 4 |
| 7 | 920083 | Lockwasher 3/8..... | 4 | 4 |
| 8 | 915113 | Eslok Nut 3/8-16..... | 4 | 4 |
| 9 | 908036 | Bolt 3/8-16 x 1 1/2..... | 2 | 2 |
| 10 | 915663 | Nut 3/8-16 E.S..... | 2 | 2 |
| 11 | 908034 | Bolt 3/8-16 x 1..... | 2 | 2 |
| 12 | 920083 | Lockwasher 3/8..... | 2 | 2 |
| 13 | 943322 | Nipple 3/8..... | 1 | 1 |
| 14 | 943023 | Elbow 3/8 90 degree..... | 1 | 1 |
| 15 | 943334 | Nipple 3/8 x 4 1/2..... | 1 | 1 |
| 16 | 5224 | Cap 3/8..... | 1 | 1 |

*Engines and Engine Parts are available through Manufacturer's Distribution System, using the Model and Spec. Numbers Shown Above.

WHEEL HORSE Part Numbers are Listed for Cross Reference Purposes Only; Engines and Engine Parts Are Not Available through the WHEEL HORSE Distribution System.

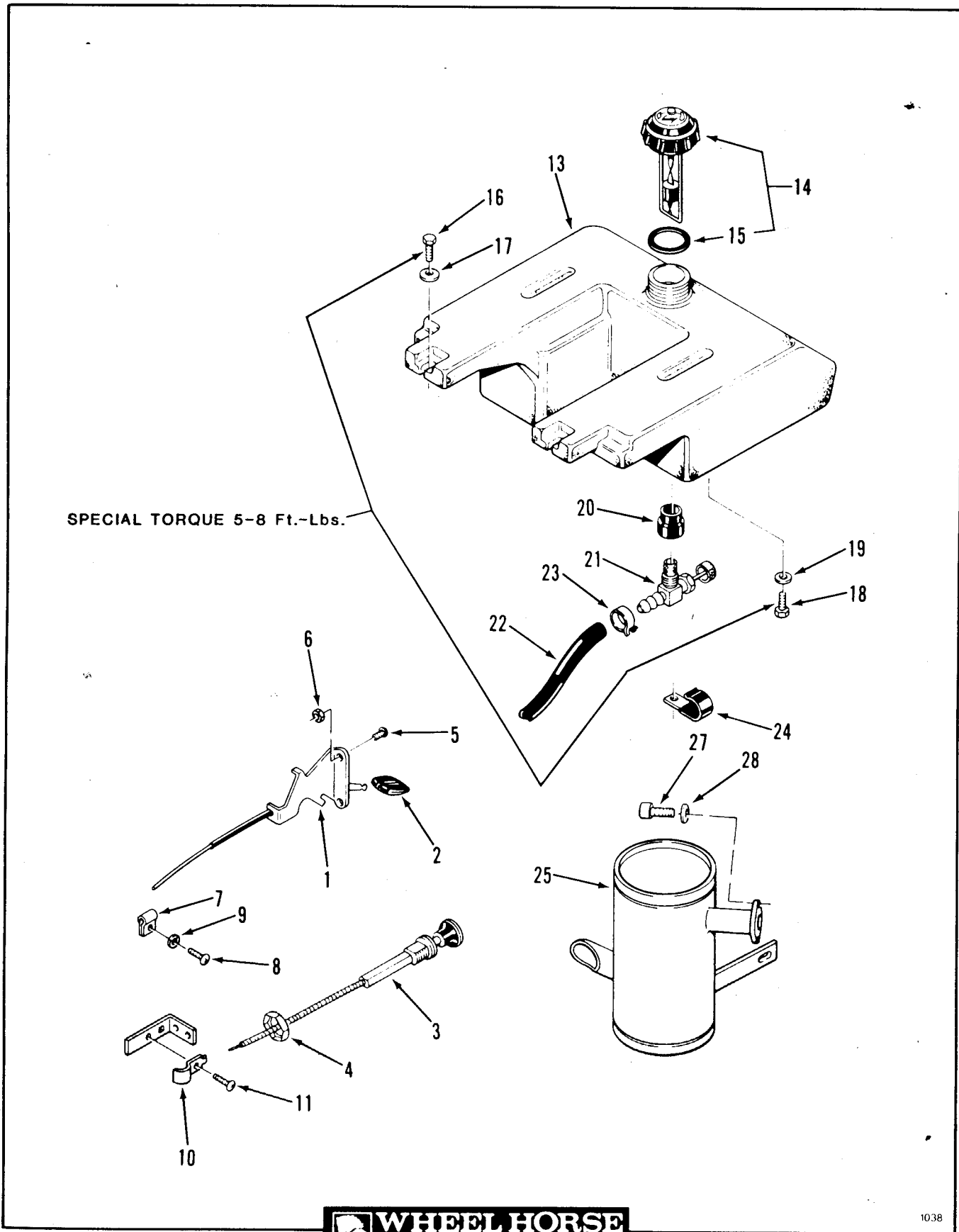


Figure 10-1 Throttle, Choke and Fuel System

| ITEM | PART NUMBER | DESCRIPTION | Automatic | |
|------|-------------|---|-----------|---|
| | | | 8-Speed | |
| | | Figure 10-1 | | |
| | | THROTTLE, CHOKE AND FUEL SYSTEM | | |
| 1 | 110715 | Throttle Control, Single Cylinder Only..... | 1 | 1 |
| | 110714 | Throttle Control, Twin Cylinder Only..... | 1 | 1 |
| 2 | 108917 | Knob-Throttle Control..... | 1 | 1 |
| 3 | 110713 | Choke Control, Single Cylinder Only..... | 1 | 1 |
| | 110712 | Choke Control, Twin Cylinder Only..... | 1 | 1 |
| 4 | 109530 | Palnut | 1 | 1 |
| 5 | 910792 | Screw #10-24 x 1/2..... | 2 | 2 |
| 6 | 915740 | Lock Nut #10-24..... | 2 | 2 |
| 7 | 100729 | Clamp, Twin Cylinder Only..... | 1 | 1 |
| 8 | 910837 | Screw PHCR 1/4-20 x 5/8..... | 1 | |
| 9 | 920081 | Lockwasher 1/4..... | 1 | |
| 10 | 105971 | Clamp-Choke, Single Cylinder Only..... | 1 | |
| 11 | 911738 | Screw PHCR #10-24 x 3/8..... | 1 | |
| 13 | 106234 | Fuel Tank..... | 1 | 1 |
| 14 | 106945 | Fuel Cap & Gauge (With Rubber Seal)..... | 1 | 1 |
| 15 | 106931 | Rubber Seal..... | 1 | 1 |
| 16 | 926696 | S.T. Bolt 5/16-18 x 7/8..... | 2 | 2 |
| 17 | 920039 | Washer 3/8..... | 2 | 2 |
| 18 | 908016 | Bolt 5/16-18 x 5/8..... | 3 | 3 |
| 19 | 920082 | Lockwasher 5/16..... | 2 | 2 |
| 20 | 104047 | Rubber Bushing..... | 1 | 1 |
| 21 | 104048 | Fuel Shut-Off Valve..... | 1 | 1 |
| 22 | 110894 | Fuel Line 62 in. Single Cylinders Only..... | 1 | 1 |
| | 106445 | Fuel Line 64 in. Twin Cylinders Only..... | 1 | 1 |
| 23 | 108898 | Corbin Clamp..... | 2 | 2 |
| 24 | 950154 | Hose Clamp 1/2 in. (1.3 cm) Diameter..... | 2 | 2 |
| | 105490 | Clamp 1 in. (2.5 cm) Diameter..... | 1 | 1 |
| 25 | 110661 | Muffler 310, 312, 314-8..... | 1 | |
| | 110662 | Muffler 416-8..... | 1 | |
| | 110958 | Muffler (Chrome) 314-A Only..... | | 1 |
| 27 | 911067 | Socket Head Screw 5/16-18 x 3/4..... | 2 | 2 |
| 28 | 920082 | Lockwasher 5/16..... | 2 | 2 |

NOTE: 417-8, 417-A - MUFFLER supplied by KOHLER COMPANY

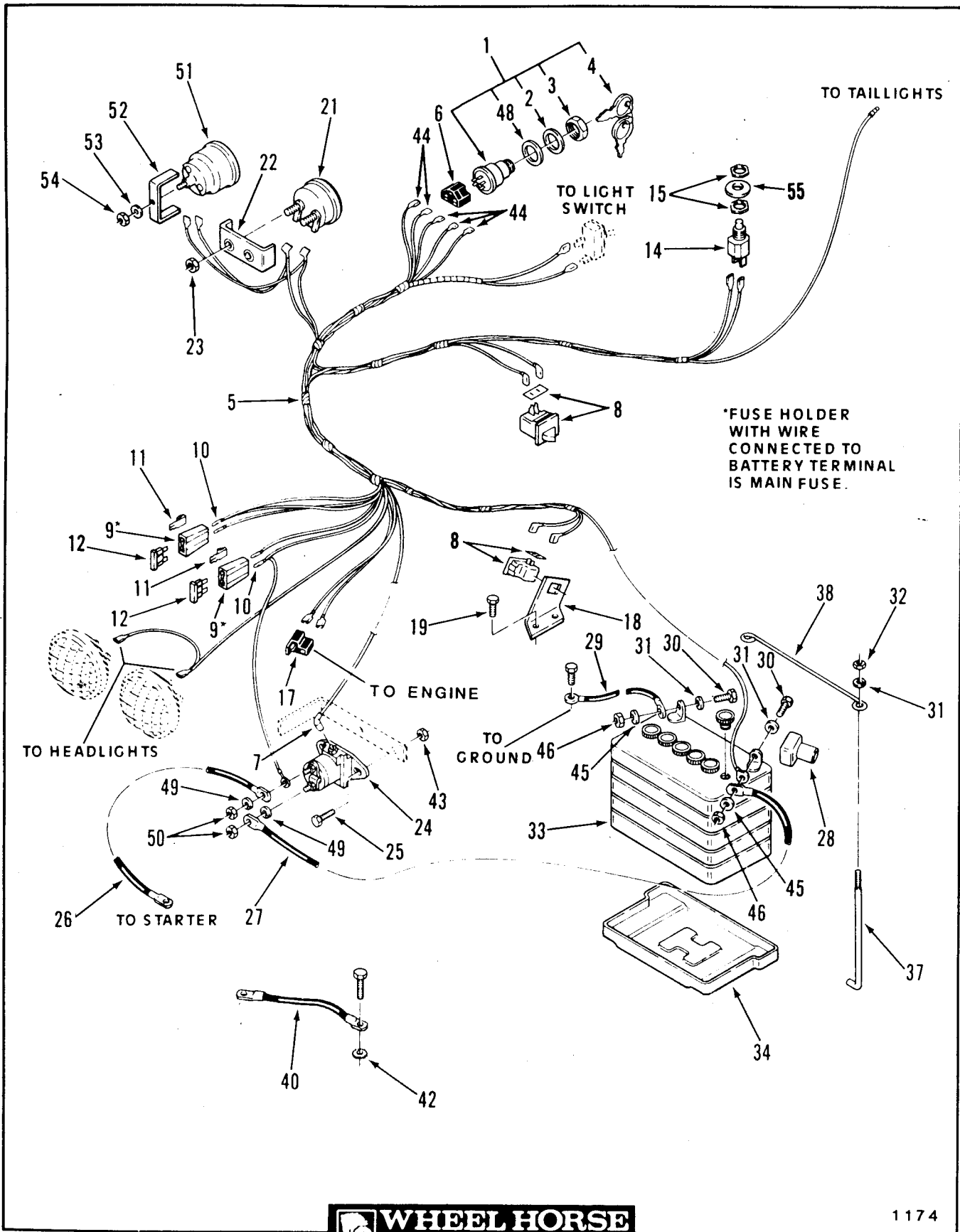


Figure 11-1 Electrical System

| ITEM | PART NUMBER | DESCRIPTION | 8-Speed | Automatic |
|------|-------------|--|---------|-----------|
| | | Figure 11-1 ELECTRICAL SYSTEM | | |
| 1 | 103990 | Ignition Switch. <i>of 111215</i> | 1 | 1 |
| 2 | 920160 | Internal Tooth Lockwasher 5/8..... | 1 | 1 |
| 3 | 101884 | Special Nut..... | 1 | 1 |
| 4 | 7262 | Ignition Key - Set of 2..... | 1 | 1 |
| 5 | 110799 | Wiring Harness Assembly All Single Cylinders.. | 1 | 1 |
| | 111035 | Wiring Harness Assembly 417-8..... | 1 | |
| | 110800 | Wiring Harness Assembly 417-A..... | | 1 |
| 6 | 105302 | Connector Body - Ignition Switch - Part of 5.. | | 1 |
| 7 | 518246 | Push on Terminal - Part of 5..... | | 1 |
| 8 | 110970 | Interlock Switch & Shield-Transmission & PTO.. | 2 | 2 |
| 9 | 109117 | Single Fuse Body - Part of 5..... | | 2 |
| 10 | 108995 | One-Way Terminal - Part of 5..... | | 4 |
| 11 | 109445 | Fuse Body Clip - Part of 5..... | | 2 |
| 12 | 110928 | Fuse 5 Amp - ATO or ATC Single Cyl. Only..... | 1 | 1 |
| | 109355 | Fuse 15 Amp - ATO or ATC Single & Twin..... | 1 | 1 |
| | 109102 | Fuse 25 Amp - ATO or ATC Twin Cyl. Only..... | 1 | 1 |
| 14 | 106268 | Seat Switch..... | | 1 |
| 15 | 8786 | Nut 15/32-32..... | | 2 |
| 17 | 109357 | Connector Body - Part of five..... | | 1 |
| 18 | 109508 | Switch Support..... | 1 | 1 |
| 19 | 926671 | S.T. Bolt 1/4-20 x 1/2..... | 2 | 2 |
| 21 | 110741 | Voltmeter 312,314,416,417..... | 1 | 1 |
| 22 | 109650 | Back Clamp - Voltmeter 312,314,416,417..... | 1 | 1 |
| 23 | 5924 | Nut #10-32 E.S 312,314,416,417..... | 2 | 2 |
| 24 | 109605 | Solenoid..... | 1 | 1 |
| 25 | 960152 | Whizlock Bolt 1/4-20 x 5/8..... | | 2 |
| 26 | 106860 | Cable - Solenoid To Starter..... | | 1 |
| 27 | 111074 | Cable - Battery (+) To Solenoid..... | 1 | 1 |
| 28 | 109553 | Terminal Cover..... | 1 | 1 |
| 29 | 111069 | Cable - Battery (-) To Ground..... | 1 | 1 |
| 30 | 908003 | Bolt 1/4-20 x 3/4..... | 2 | 2 |
| 31 | 920007 | Washer 1/4 SAE..... | 4 | 4 |
| 32 | 915111 | Eslok Nut 1/4-20..... | 4 | 4 |
| 33 | 110791 | Battery Maintenance Free 417 Only..... | 1 | 1 |
| | 104962 | Battery 310,312,314,416..... | 1 | 1 |
| 34 | 110298 | Battery Tray..... | 1 | 1 |
| 37 | 109547 | Hook - Battery Hold Down..... | 2 | 2 |
| 38 | 105504 | Battery Hold Down Rod..... | 1 | 1 |
| 40 | 100335 | Engine Ground..... | | 1 |
| 42 | 920122 | External Tooth Lockwasher 1/4..... | | 2 |
| 43 | 915111 | Eslok Nut 1/4..... | | 2 |
| 44 | 102651 | Female Terminal 1/4 - Part of 5..... | | 8 |
| 45 | 920081 | Lockwasher 1/4..... | 2 | 2 |
| 46 | 915111 | Nut 1/4-20..... | | 2 |
| 48 | 920262 | Special Washer..... | 1 | 1 |
| 49 | 920081 | Lockwasher 1/4..... | 2 | 2 |
| 50 | 915234 | Jam Nut 1/4-20..... | 2 | 2 |
| 51 | 110918 | Hourmeter 314,417..... | 1 | 1 |
| 52 | 108768 | Steel Clamp..... | 1 | 1 |
| 53 | 920120 | Lockwasher..... | 1 | 1 |
| 54 | 915538 | Hex Nut..... | 1 | 1 |
| 55 | 920242 | Spacer..... | 1 | 1 |

103480 12138 1/2x

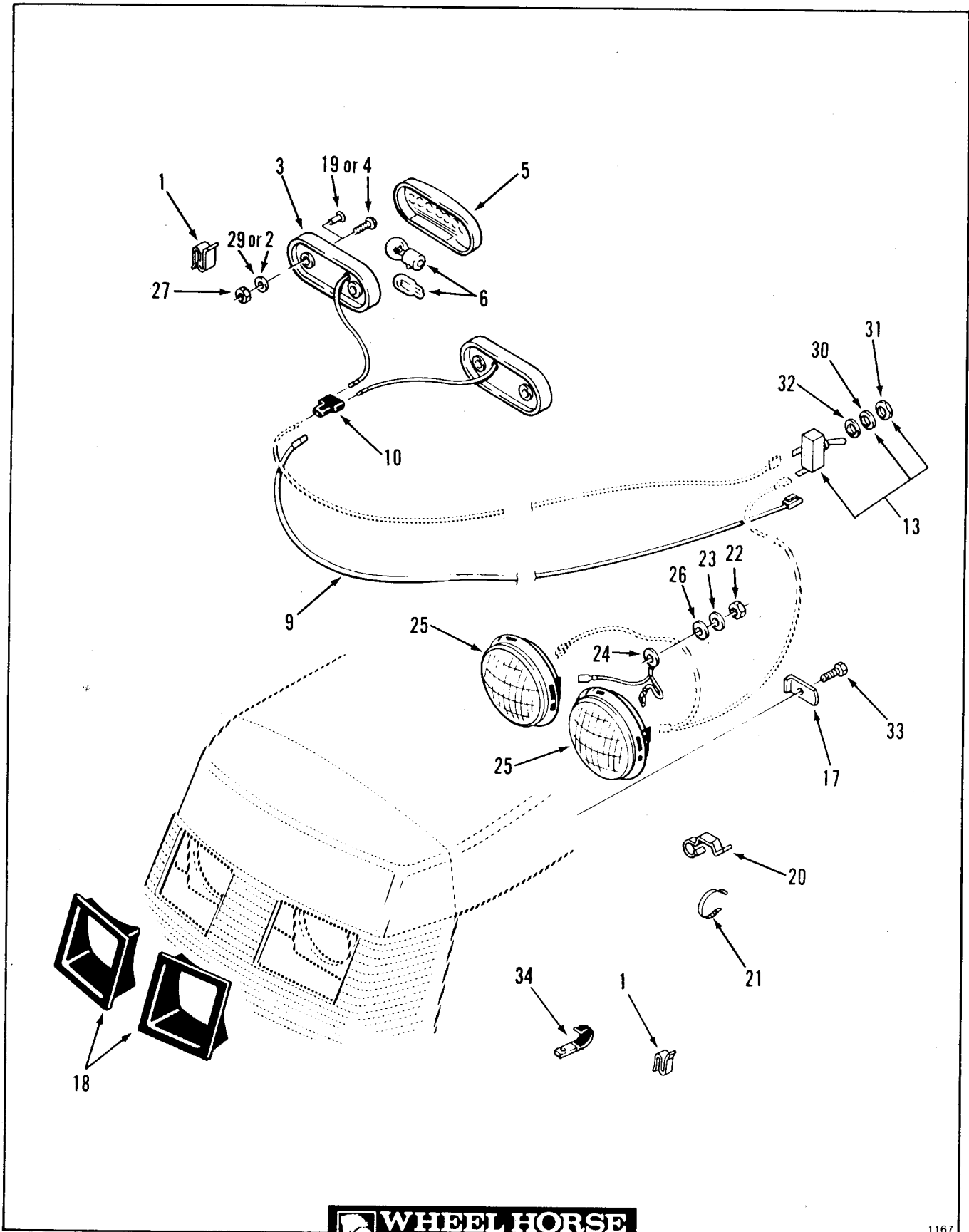


Figure 11-2 Electrical System

| ITEM | PART NUMBER | DESCRIPTION | Automatic | |
|----------------------------|-------------|---|-----------|---|
| | | | 8-Speed | |
| Figure 11-2 | | | | |
| ELECTRICAL SYSTEM (CONT'D) | | | | |
| 1 | 3023 | Clip-Small..... | X | X |
| 2 | 920079 | Lockwasher #10 (Optional)..... | 4 | 4 |
| 3 | 105202 | Taillight Base W/Bulb 314,417..... | 2 | 2 |
| 4 | 910808 | Screw #10-32 x 5/8 (Optional)..... | 4 | 4 |
| 5 | 102884 | Taillight Lens 314,417..... | 2 | 2 |
| 6 | 8043 | Light Bulb - Metal Base (Auto #1895)..... | 2 | 2 |
| | 109045 | Light Bulb - All Glass (Auto #194)..... | 2 | 2 |
| 9 | 110854 | Tail Light Wire 314-8,314-A Only..... | 1 | 1 |
| 10 | 7618 | Connector 3-Wire..... | 1 | 1 |
| 13 | 102138 | Light Switch..... | 1 | 1 |
| 17 | 109459 | Clamp..... | 8 | 8 |
| 18 | 109080 | Retainer - Headlight Pair..... | 1 | 1 |
| 19 | 109193 | Poprivet 3/8 x .57 Aluminum (Production)..... | 4 | 4 |
| 20 | 8519 | Clip-Large..... | X | X |
| 21 | 100571 | Cable Tie..... | X | X |
| 22 | 915112 | Nut 5/16-18..... | 1 | 1 |
| 23 | 920155 | Lockwasher 5/16..... | 1 | 1 |
| 24 | 108130 | Headlight Ground Wire..... | 1 | 1 |
| | 110930 | Headlight Ground Wire 417 Only..... | 1 | 1 |
| 25 | 110792 | Headlight Halogen 417 Only..... | 2 | 2 |
| | 102881 | Headlight 310,312,314,416..... | 2 | 2 |
| 26 | 920008 | Washer 5/16 SAE..... | 1 | 1 |
| 27 | 915551 | Nut #10-32 (Optional)..... | 4 | 4 |
| 29 | 920004 | Washer #8 (Use With Poprivet-Production)..... | 4 | 4 |
| 30 | 102950 | Lockring..... | 1 | 1 |
| 31 | 8786 | Nut..... | 1 | 1 |
| 32 | 920259 | Special Washer..... | 1 | 1 |
| 33 | 926671 | Bolt Hex 1/4-20 x 1/2 ST..... | 2 | 2 |
| 34 | 8830 | Clip..... | 1 | 1 |

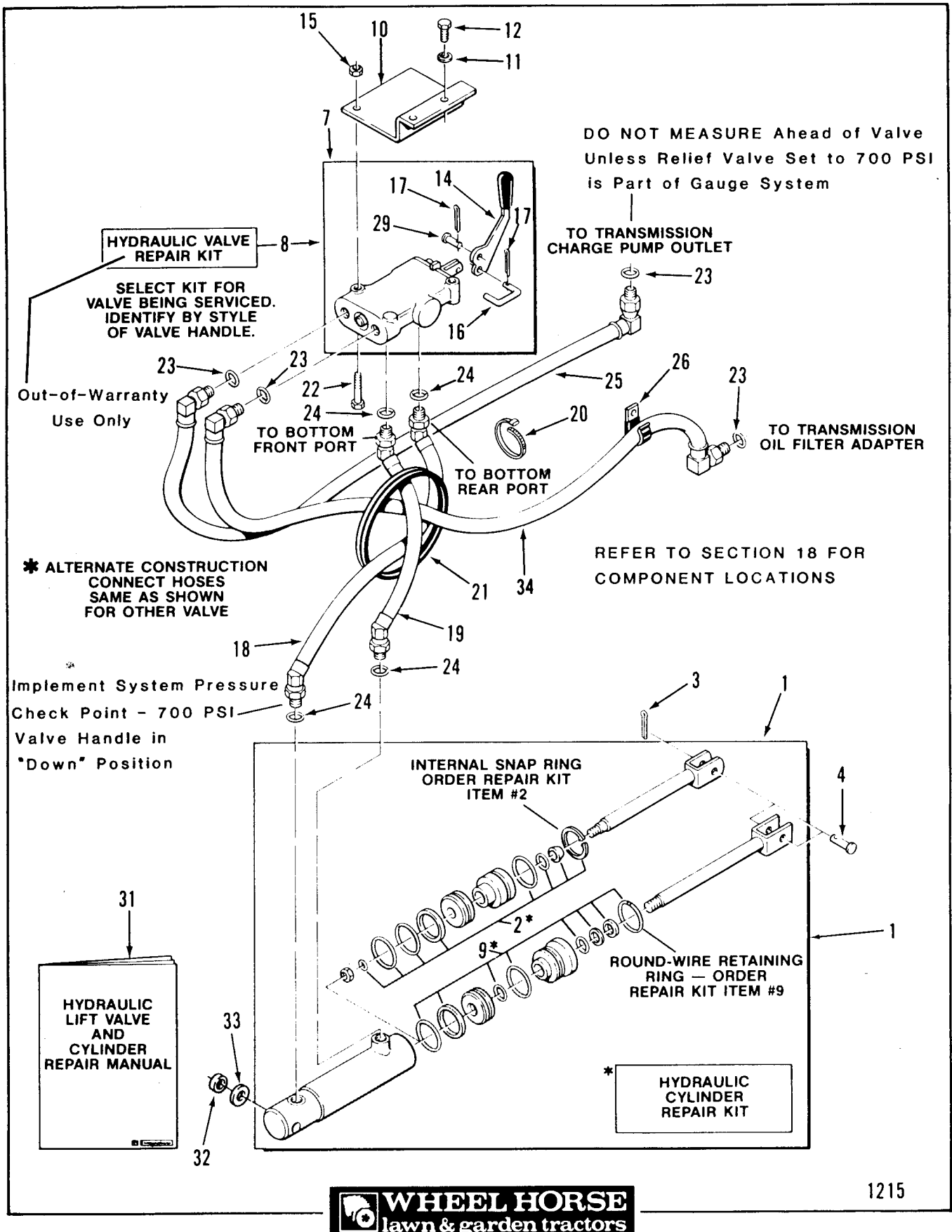


Figure 12-1 Hydraulic System

| ITEM | PART NUMBFR | DESCRIPTION | Automatic |
|------|----------------|--|-----------|
| | | | 8-Speed |
| | | Figure 12-1 HYDRAULIC SYSTEM - 400 SERIES | |
| 1 | 108872 | Hydraulic Cylinder..... | 1 |
| 2 | 101699 | Service Assembly Cylinder Repair Kit..... | 1 |
| 3 | 932017 | Cotter Pin 1/8 x 1..... | 1 |
| 4 | 932997 | Clevis Pin 1/2 x 1 1/4..... | 1 |
| 7 | 111066 | Hydraulic Valve..... | 1 |
| 8 | 109081* | Service Assembly Valve Repair Kit..... | 1 |
| 9 | 109088 | Service Assembly Cylinder Repair Kit..... | 1 |
| 10 | 110097 | Mounting Bracket..... | 1 |
| 11 | 920082 | Lockwasher 5/16..... | 2 |
| 12 | 908017 | Bolt 5/16-18 x 3/4..... | 2 |
| 14 | 109083 | Service Assembly Valve Handle..... | 1 |
| 15 | 915661 | E.S. Nut 1/4-20..... | 2 |
| 16 | 109082 | C-Hook..... | 1 |
| 17 | 932000 | Cotter Pin 1/16 x 1/2..... | 2 |
| 18 | 110124 | Hose-Valve To Cylinder 14"..... | 1 |
| 19 | 110125 | Hose-Valve To Cylinder 9"..... | 1 |
| 20 | 100571 | Cable Tie..... | X |
| 21 | 106267 | Rubber Grommet..... | 1 |
| 22 | 908009 | Bolt 1/4-20 x 2..... | 2 |
| 23 | 973370 | O-Ring..... | 4 |
| 24 | 973310 | O-Ring..... | 4 |
| 25 | 110096 | Hose-Transmission To Valve 26 In. (66.0 cm)... | 1 |
| 26 | 8830 | Clip-Small..... | 1 |
| 29 | 932120 | Clevis Pin 1/4 SAE..... | 1 |
| 31 | 810242R3 | Repair Manual..... | 1 |
| 32 | 110126 | Spacer..... | 1 |
| 33 | 1278 | Shim Washer..... | 1 |
| 34 | 110504 | Hose-Transmission To Valve 29 In. (73.7 cm)... | 1 |

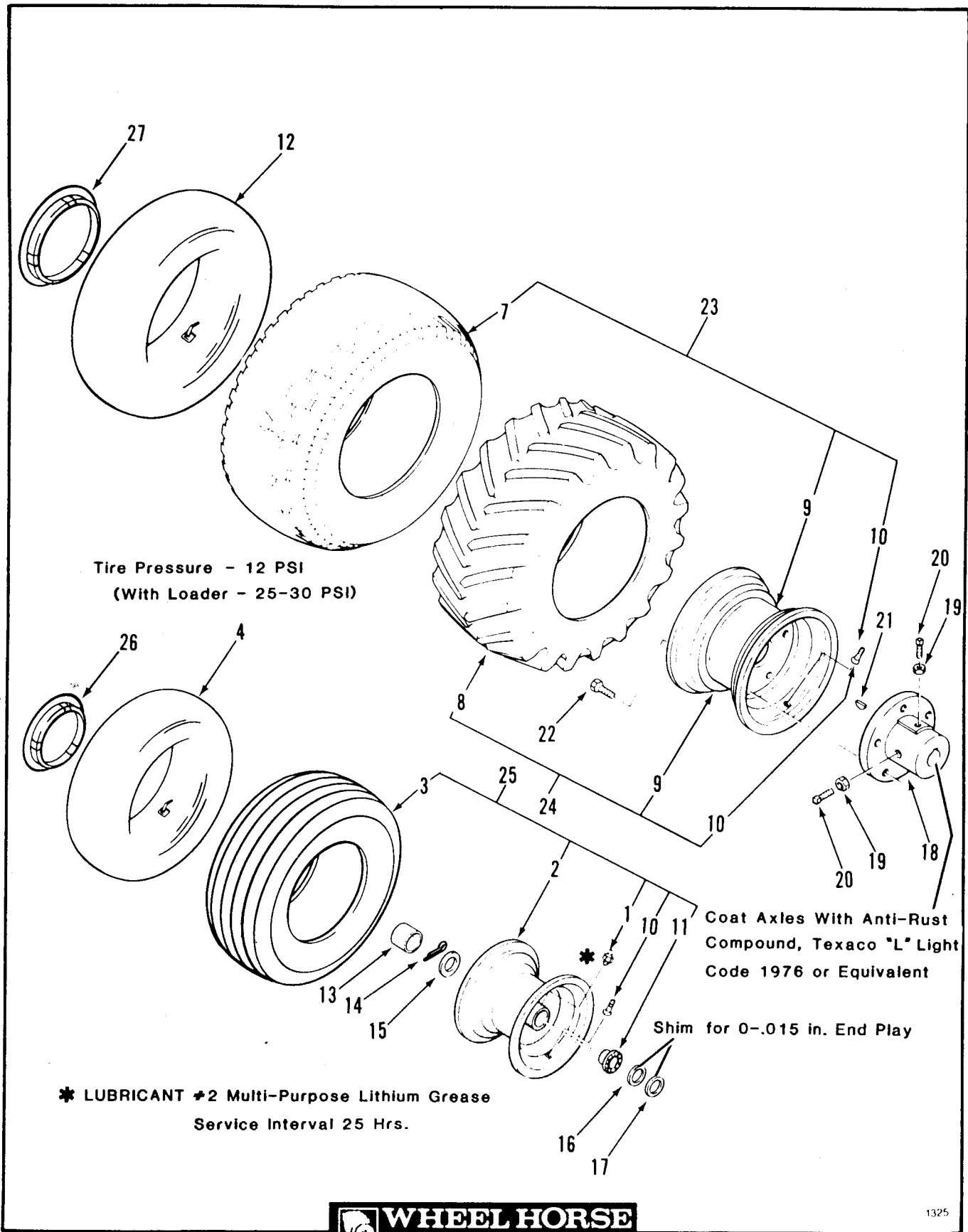
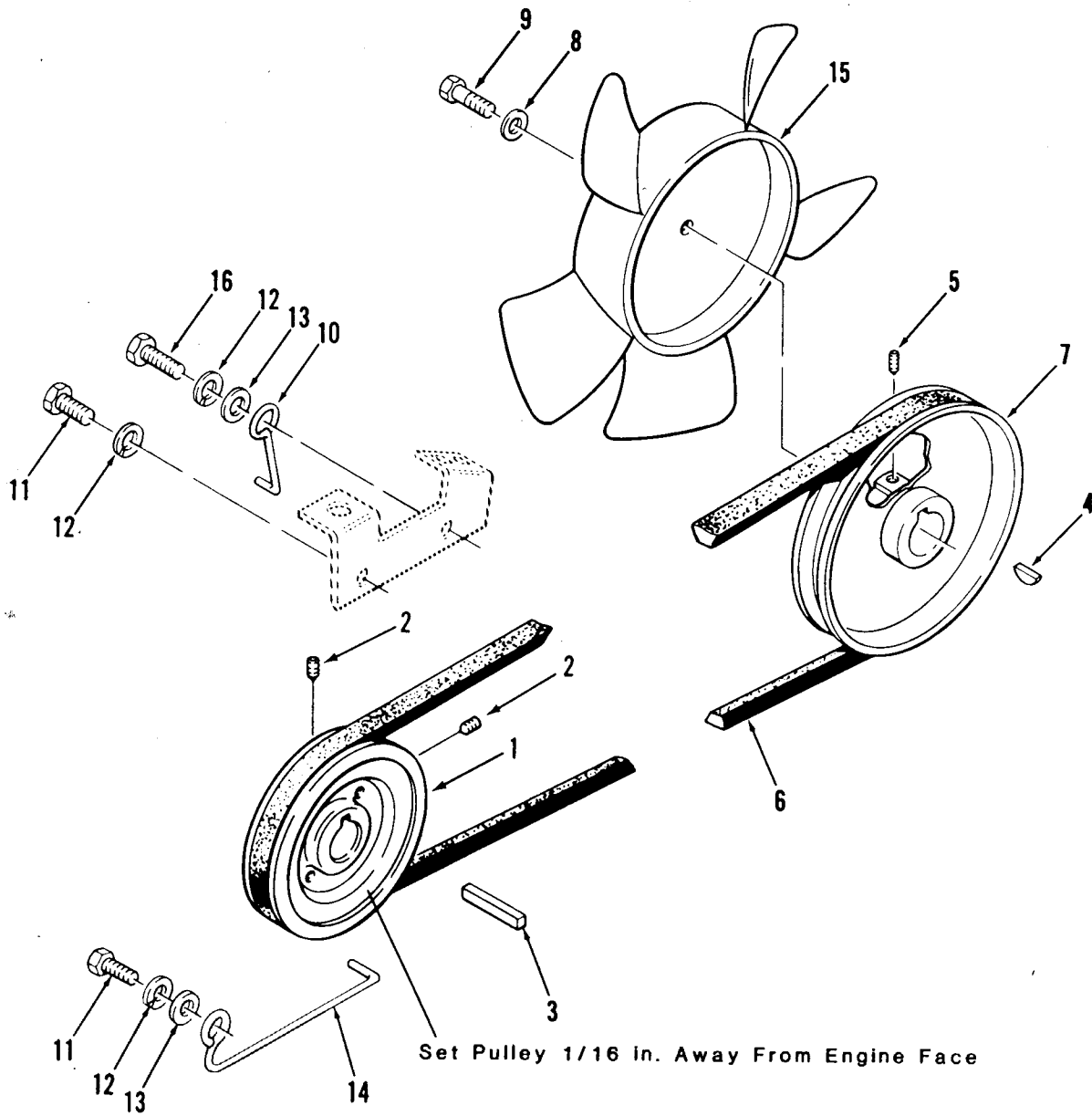


Figure 13-1 Wheels and Tires

| ITEM | PART NUMBER | DESCRIPTION | 8-Speed | Automatic |
|---------------------------------|-------------|--|---------|-----------|
| Figure 13-1 WHEELS AND TIRES | | | | |
| 1 | 1030 | Grease Fitting..... | 2 | 2 |
| 2 | 110686 | Front Wheel (includes Item 1,10,11)310-8,312-8 | 2 | |
| | 110693 | Front Wheel (includes Item 1,10,11)314-8..... | 2 | |
| | 110704 | Front Wheel (includes Item 1,11) 314-A..... | | 2 |
| | 110707 | Front Wheel (includes Item 1,10,11)416-8,417-8 | 2 | |
| | 110708 | Front Wheel (includes Item 1,11) 417-A..... | | 2 |
| 3 | 110688 | Front Tire 15x6.00-6 Rib Tread 310-8..... | 2 | |
| | 8119 | Frt Tire 15x6.00-6 Turf Trd 312-8,314-8,314-A. | 2 | 2 |
| | 9792 | Frt Tire 16x6.50-8 Turf Trd 416-8,417-8,417-A. | 2 | 2 |
| 4 | 100079 | Tube - Service Only - 310-8,312-8,314-8,314-A. | 2 | 2 |
| | 105293 | Tube - Service Only - 416-8,417-8,417-A..... | 2 | 2 |
| 7 | 100772 | Rear Tire 22x7.50-12 Turf Tread 310-8,312-8, 314-8,314-A..... | 2 | 2 |
| | 5434 | Rear Tire 23x8.50-12 Turf Tread 416-8..... | 2 | |
| | 102785 | Rear Tire 23x9.50-12 Turf Tread 417-8.417-A... | 2 | 2 |
| 8 | 7607 | Rear Tire 23x8.50-12 Cleat..... | 2 | 2 |
| 9 | 110690 | Rear Wheel 12x5 310-8,312-8..... | 2 | |
| | 110677 | Rear Wheel 12x7 314-8,314-A,416-8,417-8,417-A | 2 | 2 |
| 10 | 5108 | Valve Stem 310-8,312-8,314-8,416-8,417-8..... | 4 | |
| 11 | 110513 | Ball Bearing..... | 4 | 4 |
| 12 | 1654 | Rear Tube 300 Series..... | 2 | 2 |
| | 7007 | Rear Tube 400 Series..... | 2 | 2 |
| | 100291 | Tube Cleat Tires..... | 2 | 2 |
| 13 | 109154 | Hubcap..... | 2 | 2 |
| 14 | 932026 | Cotter Pin 5/32x1 1/4..... | 2 | 2 |
| 15 | 109114 | Special Hub Cap Washer..... | 2 | 2 |
| 16 | 1278 | Shim Washer .050..... | X | X |
| 17 | 5210 | Shim Washer .015..... | X | X |
| 18 | 105763 | Hub Rear Whl 1 1/8" I.D. 314-A,416-8,417-8,417A | 2 | 2 |
| | 105762 | Hub Rear Wheel 1" I.D. 310-8,312-8,314-8..... | 2 | |
| 19 | 915236 | Jam Nut 3/8-16..... | 4 | 4 |
| 20 | 909554 | Set Screw 3/8-16x1..... | 4 | 4 |
| 21 | 937108 | Woodruff Key 1/4x1 3/8 314-A,416-8,417-8,417-A | 2 | 2 |
| | 937097 | Woodruff Key 1/4x1 310-8,312-8,314-8..... | 2 | |
| 22 | 1004 | Lug Nut..... | 10 | 10 |
| 23 | 110689 | Rear Wheel & Tire Assy 310-8,312-8..... | 2 | |
| | 110695 | Rear Wheel & Tire Assy 314-8..... | 2 | |
| | 110698 | Rear Wheel & Tire Assy 314-A..... | | 2 |
| | 110676 | Rear Wheel & Tire Assy 416-8..... | 2 | |
| | 110678 | Rear Wheel & Tire Assy 417-8..... | 2 | |
| | 110679 | Rear Wheel & Tire Assy w/tube 417-A..... | | 2 |
| 24 | 110934 | RH Cleat Wheel & Ties Assy..... | 1 | 1 |
| | 110933 | LH Cleat Wheel & Tire Assy..... | 1 | 1 |
| 25 | 110685 | Front Wheel & Tire Assy 310-8..... | 2 | |
| | 110691 | Front Wheel & Tire Assy 312-8..... | 2 | |
| | 110692 | Front Wheel & Tire Assy 314-8..... | 2 | |
| | 110697 | Front Wheel & Tire Assy w/tube 314-A..... | | 2 |
| | 110673 | Front Wheel & Tire Assy 416-8,417-8..... | 2 | |
| | 110675 | Front Wheel & Tire Assy w/tube 417-A..... | | 2 |
| 26 | 110783 | Chrome Hub Cap 6" Front..... | | 2 |
| | 111162 | Chrome Hub Cap 8" Front..... | | 2 |
| 27 | 110781 | Chrome Hub Cap 12" Rear..... | | 2 |

REFER TO SECTION 18 FOR BELT ROUTING & ADJUSTMENTS



1452

Figure 14-1 Drive Belt and Pulleys

SECTION 14 - DRIVE BELT, PULLEYS AND PTO CLUTCH

47

| ITEM | PART NUMBER | DESCRIPTION | Automatic | |
|------|-------------|--|-----------|---|
| | | | 8-Speed | |
| | | Figure 14-1 DRIVE BELT AND PULLEYS | | |
| 1 | 7466 | Engine Drive Pulley 310-8,312-8,314-8,314-A, 416-8..... | 1 | 1 |
| | 7443 | Engine Drive Pulley 417-8,417-A..... | 1 | 1 |
| 2 | 909862 | Set Screw 5/16-18 x 5/16..... | 2 | 2 |
| 3 | 105453 | Key 1/4 x 1/4 x 3/4..... | 1 | 1 |
| 4 | 937221 | Hi-Pro Key 5/8 x 21/32..... | 1 | |
| | 937089 | Woodruff Key 3/16 x 3/4..... | | 1 |
| 5 | 909540 | Set Screw 5/16-18 x 5/8..... | 1 | |
| 6 | 7473 | Drive Belt 310-8,312-8,314-8,416-8,417-8..... | 1 | |
| | 108501 | Drive Belt 314-A,417-A..... | | 1 |
| 7 | 106165 | Transmission Drive Pulley All 8-Speeds..... | 1 | |
| | 110947 | Transmission Drive Pulley 314-A Only..... | | 1 |
| | 108316 | Transmission Drive Pulley 417-A Only..... | | 1 |
| 8 | 103995 | Washer 417-A..... 2 used on 317-A | | 1 |
| 9 | 908010 | Eslok Bolt 1/4-20 x 2 1/4 417-A Only..... | | 1 |
| 10 | 110667 | Belt Guide - Top..... | 1 | 1 |
| 11 | 908047 | Bolt 7/16-14x1 1/4..... | 2 | 2 |
| 12 | 920084 | Lockwasher 7/16..... | 3 | 3 |
| 13 | 920010 | Washer 7/16..... | 2 | 2 |
| 14 | 110668 | Belt Guide - Bottom..... | | 1 |
| 15 | 108393 | Fan..... | | 1 |
| 16 | 908047 | Bolt 7/16-14x1 1/4..... | 1 | 1 |

REFER TO SECTION 18 FOR ADJUSTMENTS

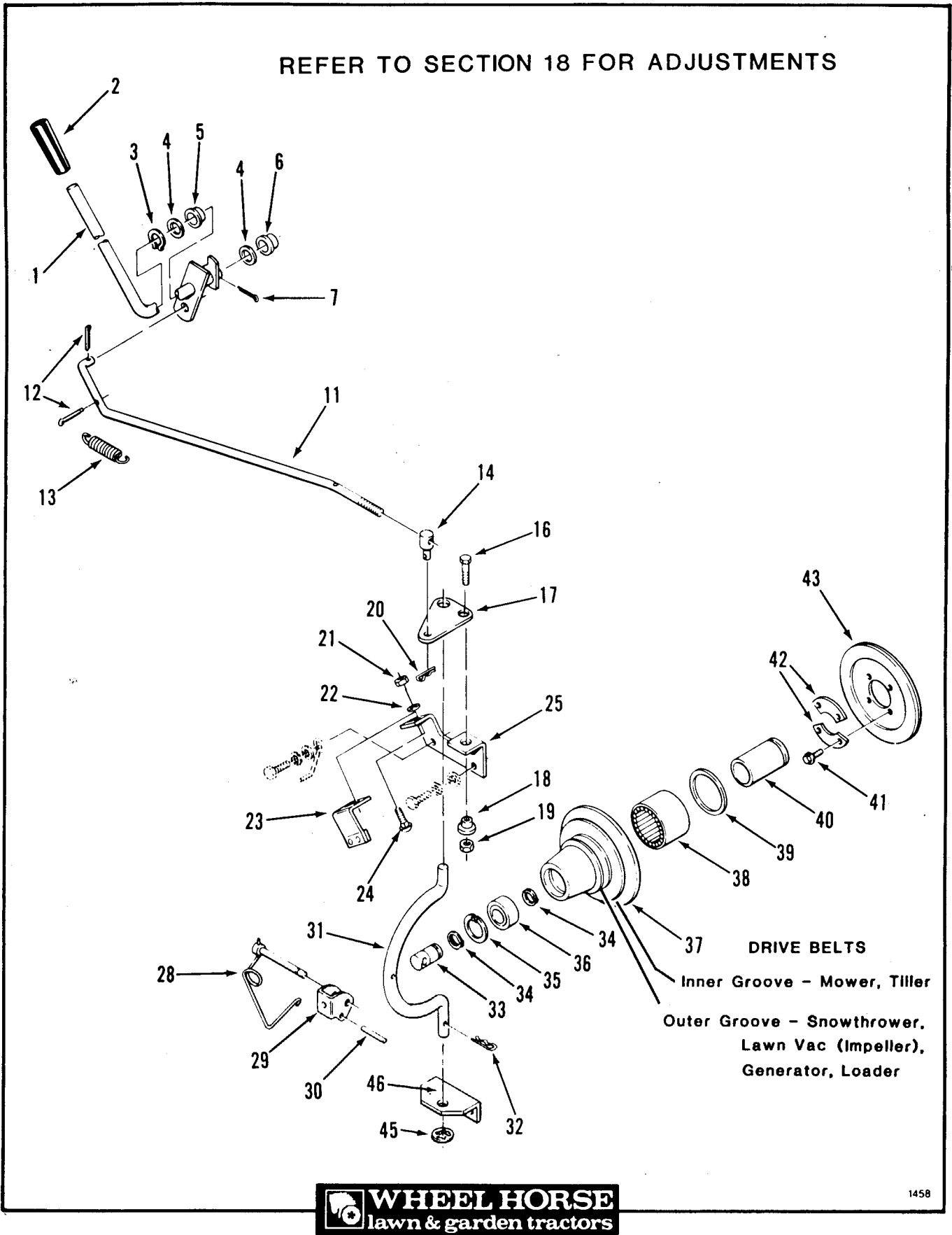


Figure 14-2 PTO Clutch and Control

SECTION 14 - DRIVE BELT, PULLEYS AND PTO CLUTCH

49

| ITEM | PART NUMBER | DESCRIPTION | Automatic | |
|------|-------------|--|-----------|---|
| | | | 8-Speed | |
| | | Figure 14-2 | | |
| | | PTO CLUTCH AND CONTROL | | |
| 1 | 110645 | PTO Clutch Lever..... | 1 | 1 |
| 2 | 9038 | Grip..... | 1 | 1 |
| 3 | 106649 | Grip Ring..... | 1 | 1 |
| 4 | 3765 | Shim Washer..... | 2 | 2 |
| 5 | 5666 | Nyliner Bushing..... | 1 | 1 |
| 6 | 5983 | Bushing..... | 1 | 1 |
| 7 | 932016 | Cotter Pin 1/8 x 3/4..... | 1 | 1 |
| 11 | 111052 | PTO Clutch Rod..... | 1 | 1 |
| 12 | 932016 | Cotter Pin 1/8 x 3/4..... | 2 | 2 |
| 13 | 103125 | Spring..... | 1 | 1 |
| 14 | 110656 | Trunnion..... | 1 | 1 |
| 16 | 908034 | Bolt 3/8-16 x 1..... | 1 | 1 |
| 17 | 110669 | PTO Plate..... | 1 | 1 |
| 18 | 104859 | Spacer..... | 1 | |
| 19 | 915113 | Eslok Nut 3/8-16..... | 1 | 1 |
| 20 | 933505 | Hairpin Cotter..... | 1 | 1 |
| 21 | 915111 | Eslok Nut 1/4-20..... | 2 | 2 |
| 22 | 920007 | Washer 1/4 SAE..... | 2 | 2 |
| 23 | 109473 | PTO Brake Assembly..... | 1 | 1 |
| 24 | 900015 | Carriage Bolt 1/4-20 x 3/4..... | 2 | 2 |
| 25 | 104729 | Engine Bracket..... | 1 | 1 |
| 28 | 105850 | Locking Pin..... | 1 | 1 |
| 29 | 106694 | Clevis..... | 1 | 1 |
| 30 | 933274 | Spirol Pin 5/32 x 1 3/8..... | 1 | 1 |
| 31 | 110663 | PTO Housing Rod 310-8,312-8,314-8,314-A,416-8. | 1 | 1 |
| | 110670 | PTO Housing Rod 417-8,417-A..... | 1 | 1 |
| 32 | 933506 | Hairpin Cotter..... | 1 | 1 |
| 33 | 102872 | Stub Shaft..... | 1 | 1 |
| 34 | 936125 | Snap Ring 3/4 External..... | 2 | 2 |
| 35 | 936032 | Snap Ring 1 3/4 Internal..... | 1 | 1 |
| 36 | 109842 | Ball Bearing..... | 1 | 1 |
| 37 | 103478 | Pulley Housing..... | 1 | 1 |
| 38 | 106769 | Needle Bearing..... | 1 | 1 |
| 39 | 6663 | Seal..... | 1 | 1 |
| 40 | 6658 | Bearing Race..... | 1 | 1 |
| 41 | 908002 | Nylok Bolt 1/4-20 x 5/8..... | 4 | 4 |
| 42 | 6659 | Retainer..... | 2 | 2 |
| 43 | 103817 | Clutch Plate & Facing..... | 1 | 1 |
| 44 | 920081 | Lock Washer 1/4..... | 2 | 2 |
| 45 | 106695 | Push-On Ring..... | 1 | 1 |
| 46 | 102870 | Rod Support Housing..... | 1 | 1 |

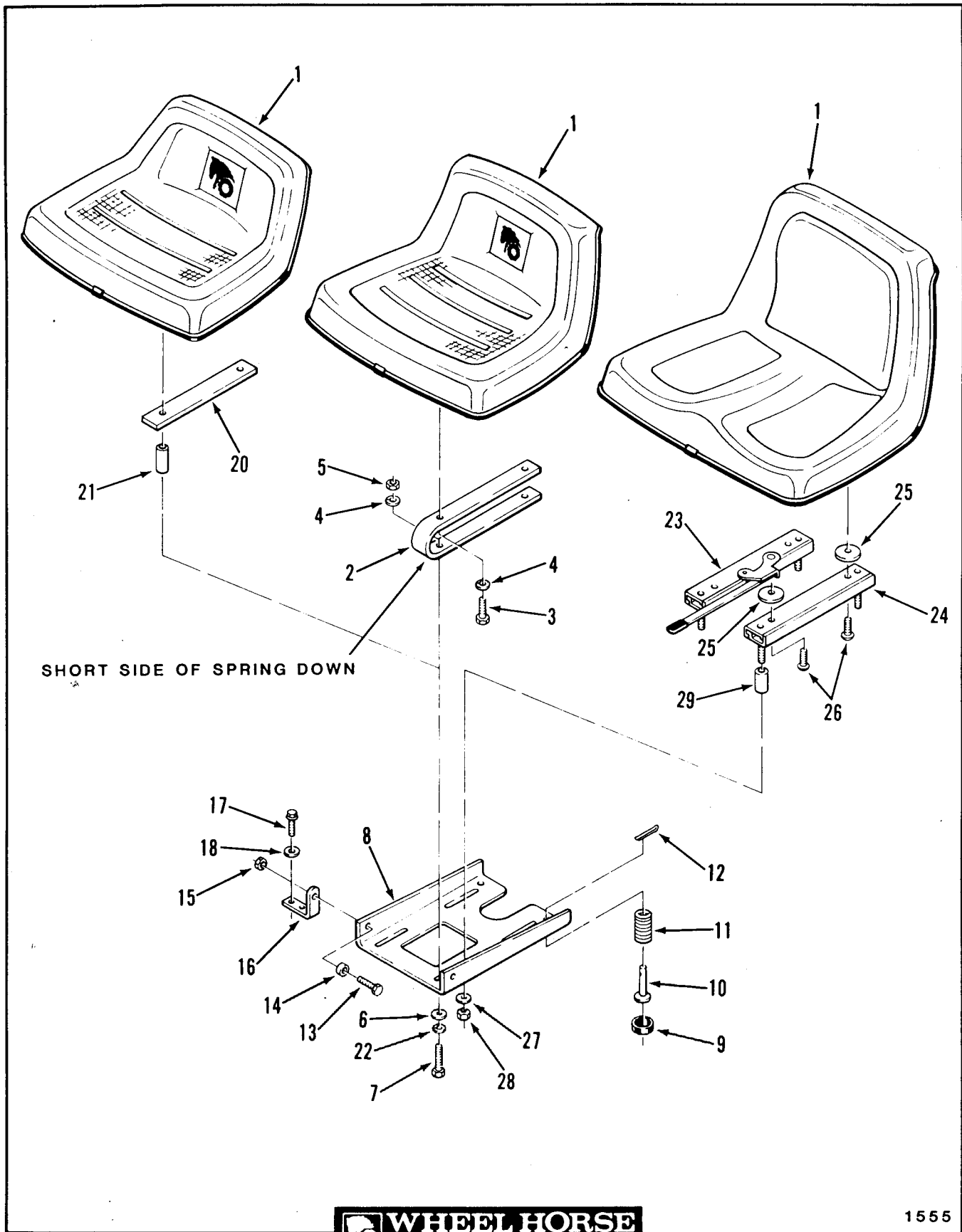


Figure 15-1 Seat

| ITEM | PART NUMBER | DESCRIPTION | Automatic | |
|------|-------------|--|-----------|---|
| | | | 8-Speed | |
| | | Figure 15-1 | | |
| | | SEAT | | |
| 1 | 108910 | Seat 310-8..... | 1 | |
| | 105259 | Seat 312-8..... | 1 | |
| | 109342 | Seat 314-8,416-8..... | 1 | |
| | 109986 | Seat 314-A,417-8,417-A | 1 | 1 |
| 2 | 110920 | Seat Spring..... | 2 | 2 |
| 3 | 908017 | Bolt 5/8-18 x 3/4..... | 4 | 4 |
| 4 | 920082 | Lockwasher 5/16..... | 8 | 8 |
| 5 | 915112 | Nut 5/16-18..... | 4 | 4 |
| 6 | 920008 | Washer 5/16 SAE..... | 4 | 4 |
| 7 | 908018 | Bolt 5/16-18 x 7/8..... | 4 | 4 |
| | 908026 | Bolt 5/16-18 x 2 3/4 310-8 Only..... | 8 | |
| 8 | 110919 | Seat Pivot Plate..... | 1 | 1 |
| 9 | 106331 | Rubber Cap..... | 2 | 2 |
| 10 | 106449 | Pin..... | 2 | 2 |
| 11 | 104841 | Spring..... | 2 | 2 |
| 12 | 932008 | Cotter Pin 3/32 x 3/4..... | 2 | 2 |
| 13 | 908018 | Bolt 5/16-18 x 7/8..... | 2 | 2 |
| 14 | 105503 | Bushing..... | 2 | 2 |
| 15 | 915112 | Eslok Nut 5/16-18..... | 2 | 2 |
| 16 | 105524 | Pivot Bracket..... | 2 | 2 |
| 17 | 913464 | S.T. Bolt 5/16-18 x 7/8..... | 4 | 4 |
| 18 | 920008 | Washer 5/16 SAE..... | 4 | 4 |
| 20 | 110807 | Seat Support Bar 310-8 Only..... | 2 | |
| 21 | 110808 | Seat Spacer 310-8 Only..... | 4 | |
| 22 | 920082 | Lockwasher 5/16 310-8 Only..... | 4 | |
| 23 | 109987 | Adjuster RH (With Latch) 314-A,417-8,417-A.... | 1 | 1 |
| 24 | 109988 | Adjuster LH 314-A,417-8,417-A..... | 1 | 1 |
| 25 | 109989 | Nylon Spacer 314-A,417-8,417-A..... | 4 | 4 |
| 26 | 109990 | Screw 5/16-18x3/4 314-A,417-8,417-A..... | 4 | 4 |
| 27 | 920038 | Washer 5/16 SAE 314-A,417-8,417-A..... | 4 | 4 |
| 28 | 915112 | Eslok Nut 5/16-18 314-A,417-8,417-A..... | 4 | 4 |
| 29 | 110932 | Spacer 314-A,417-8,417-A..... | 4 | 4 |

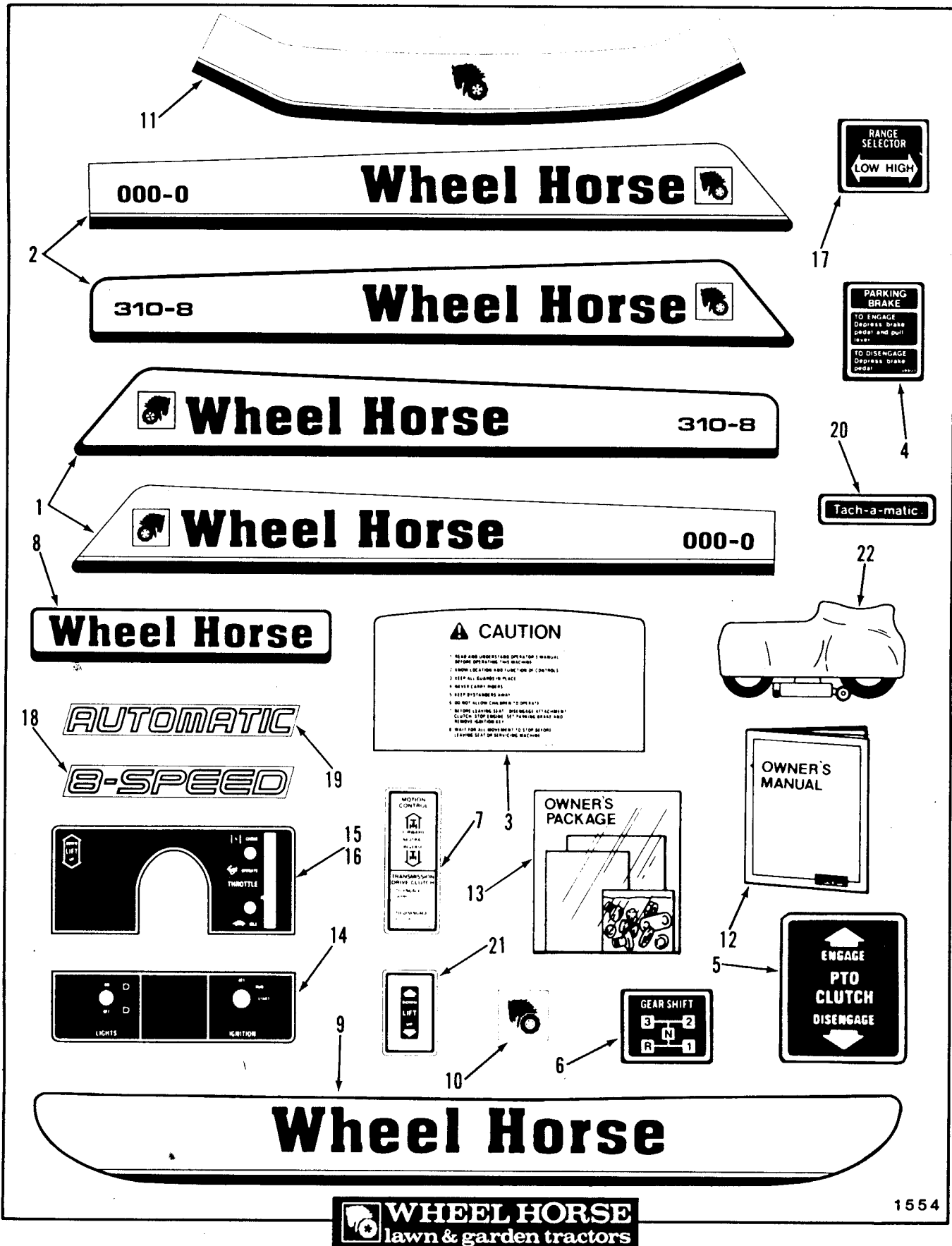


Figure 15-2 Decals

| ITEM | PART NUMBER | DESCRIPTION | 8-Speed | Automatic |
|------|-------------|---|---------|-----------|
| | | Figure 15-2 DECALS | | |
| 1 | 110716 | Decal-Hood RH 310-8 Only..... | X | |
| | 110728 | Decal-Hood RH 312-8 Only..... | X | |
| | 110730 | Decal-Hood RH 314-8 Only..... | X | |
| | 110862 | Decal-Hood RH 314-A Only..... | | X |
| | 110732 | Decal-Hood RH 416-8 Only..... | X | |
| | 110734 | Decal-Hood RH 417-8 Only..... | X | |
| | 110736 | Decal-Hood RH 417-A Only..... | | X |
| 2 | 110717 | Decal-Hood LH 310-8 Only..... | X | |
| | 110729 | Decal-Hood LH 312-8 Only..... | X | |
| | 110731 | Decal-Hood LH 314-8 Only..... | X | |
| | 110861 | Decal-Hood LH 314-A Only..... | | X |
| | 110733 | Decal-Hood LH 416-8 Only..... | X | |
| | 110735 | Decal-Hood LH 417-8 Only..... | X | |
| | 110737 | Decal-Hood LH 417-A Only..... | | X |
| 3 | 110509 | Decal-Caution Hood 310-8..... | X | |
| | 110625 | Decal-Caution Hood..... | X | X |
| 4 | 106603 | Decal-Parking Brake..... | 1 | 1 |
| 5 | 106718 | Decal-PTO Clutch..... | 1 | 1 |
| 6 | 108709 | Decal-Shift Pattern..... | 1 | |
| 7 | 110754 | Decal-Speed Control..... | | 1 |
| 8 | 110778 | Decal-Rear Fender 310-8 Only..... | 1 | |
| 9 | 110629 | Decal-Rear Fender..... | 1 | 1 |
| 10 | 110777 | Decal-Hood Front 310-8 Only..... | 1 | |
| 11 | 110626 | Decal-Hood Front..... | 1 | 1 |
| 12 | 810372R1 | Owners Manual-Tractor..... | X | X |
| 13 | 807051 | Loose Parts Package 310-8..... | X | |
| | 807055 | Loose Parts Package 314-8,416-8..... | X | |
| | 807062 | Loose Parts Package 314-A..... | | X |
| | 807053 | Loose Parts Package 417-8..... | X | |
| | 807058 | Loose Parts Package 417-A..... | | X |
| 14 | 109522 | Decal-Switch Plate..... | 1 | 1 |
| 15 | 109480 | Decal-Dash Plate..... | 1 | 1 |
| 16 | 109586 | Decal-Dash Plate 417-A Only..... | | 1 |
| 17 | 108710 | Decal-Hi-Low Shift..... | 1 | |
| 18 | 110718 | Decal-8-Speed..... | 2 | |
| 19 | 110738 | Decal-Automatic..... | | 2 |
| 20 | 106722 | Decal-Tach-o-matic..... | 1 | 1 |
| 21 | 110753 | Decal-Lift 417-A..... | | 1 |
| 22 | 110831 | Vinyl Tractor Cover 314-A,417-A Only..... | | X |

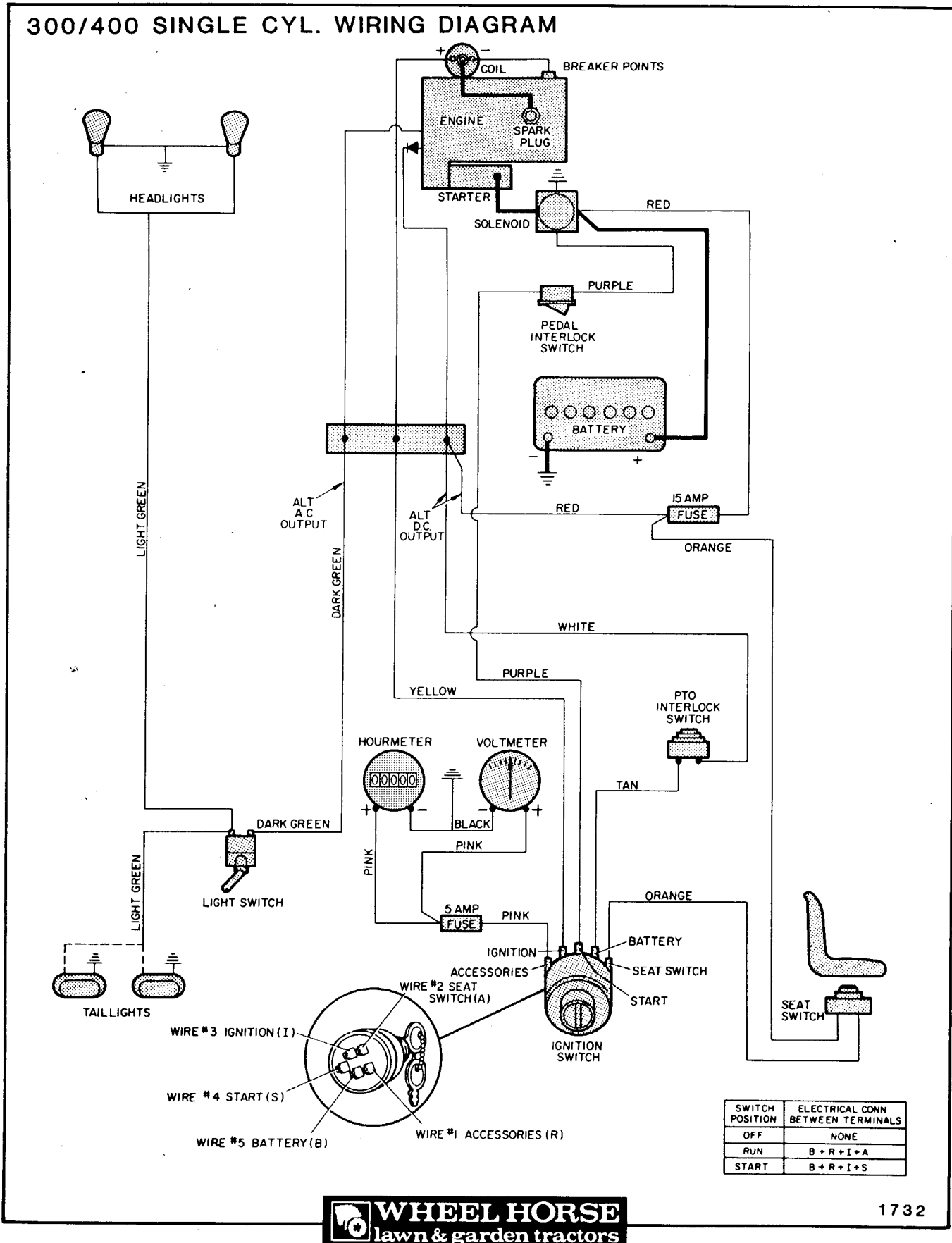
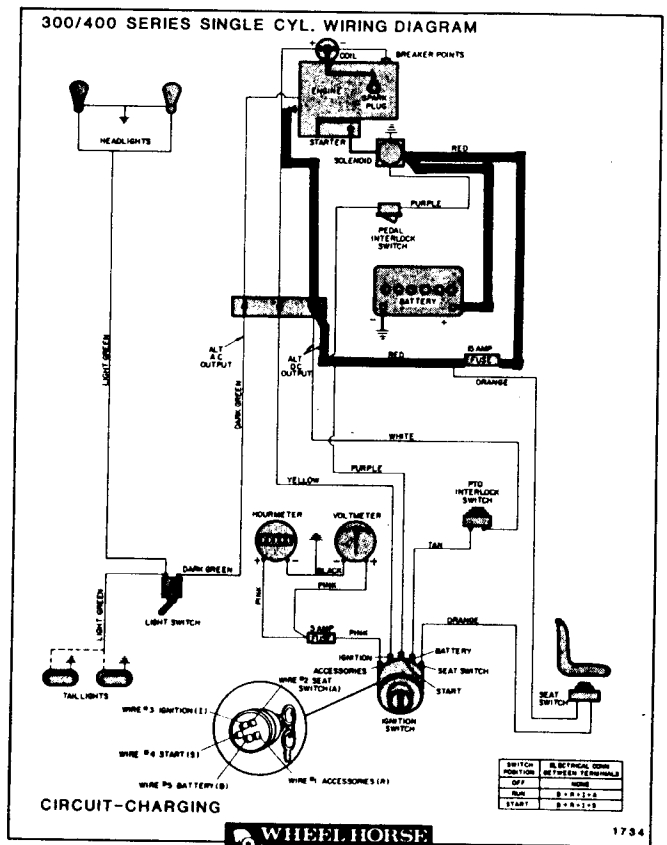
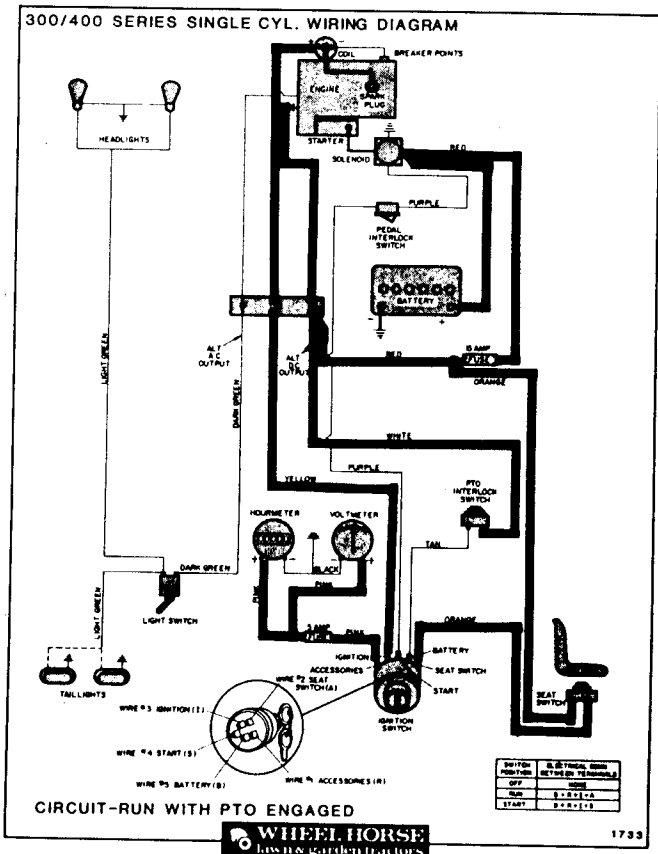
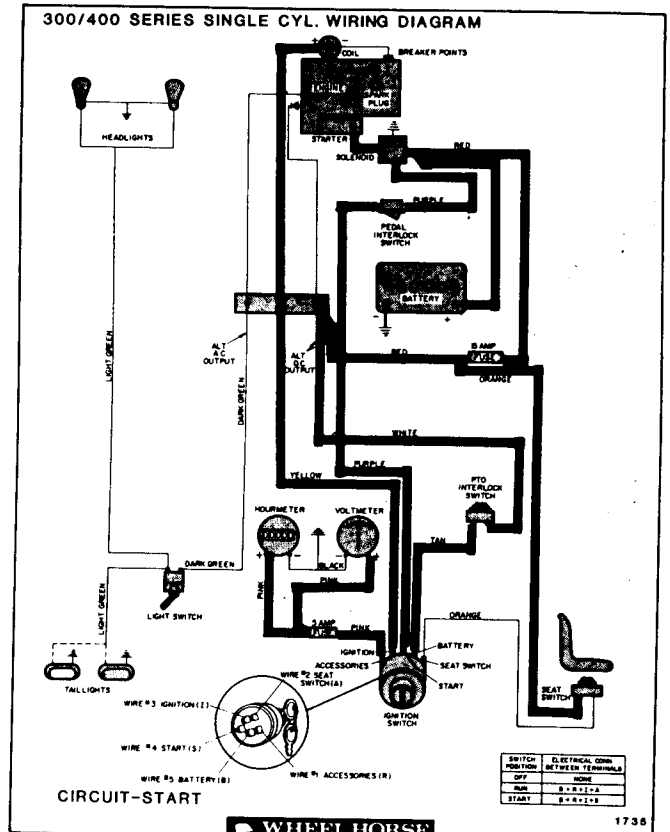
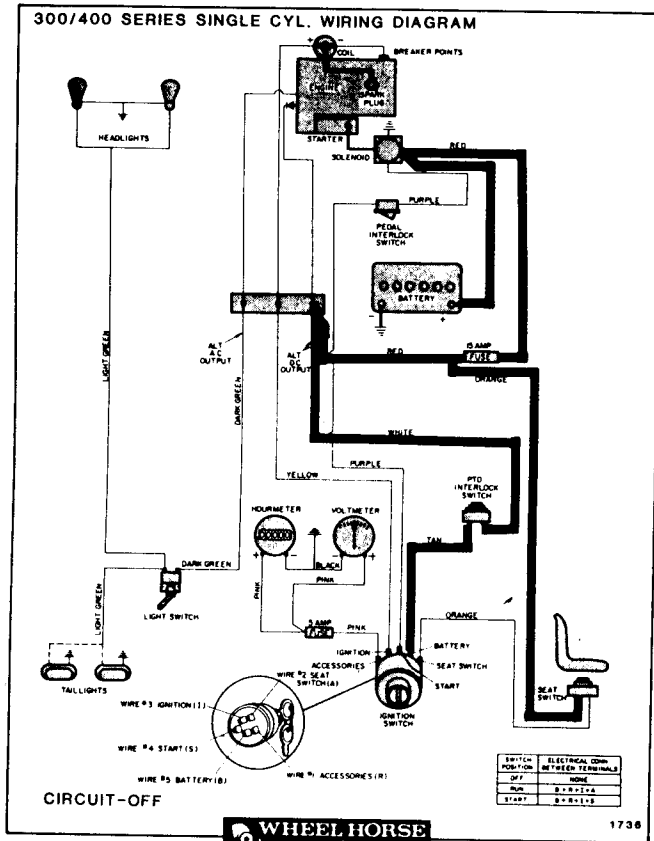


Figure 17-1 Single Cylinder Wiring Diagram



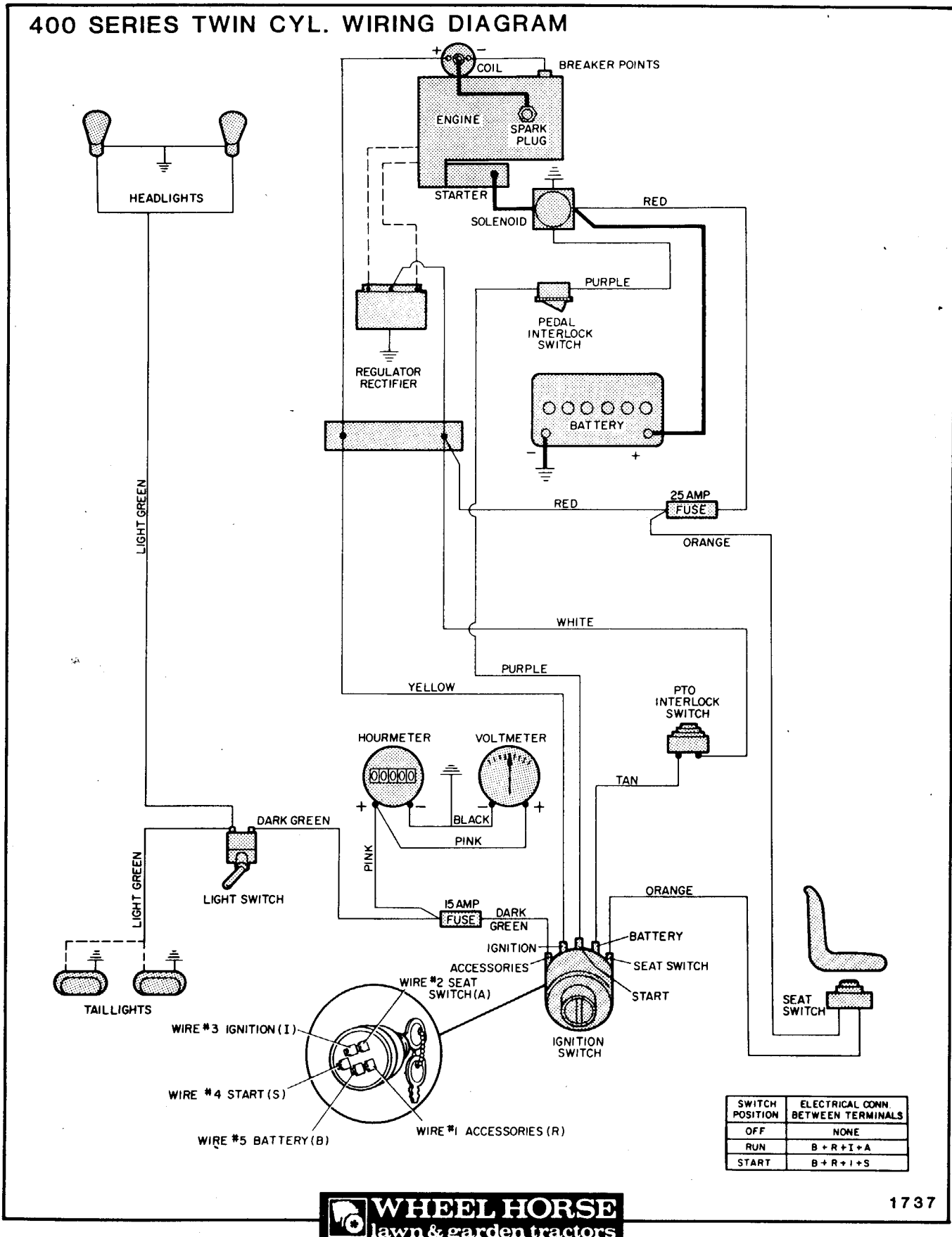
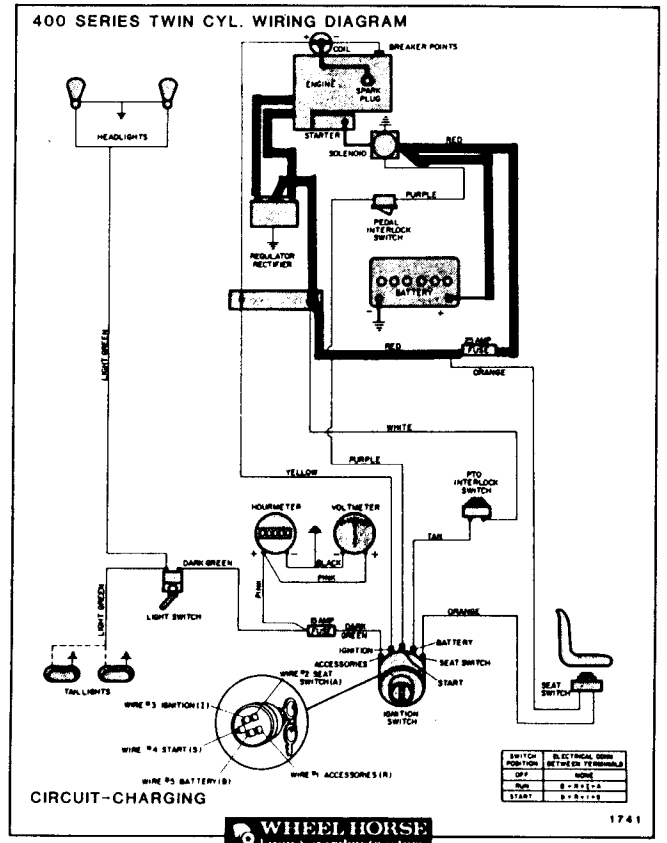
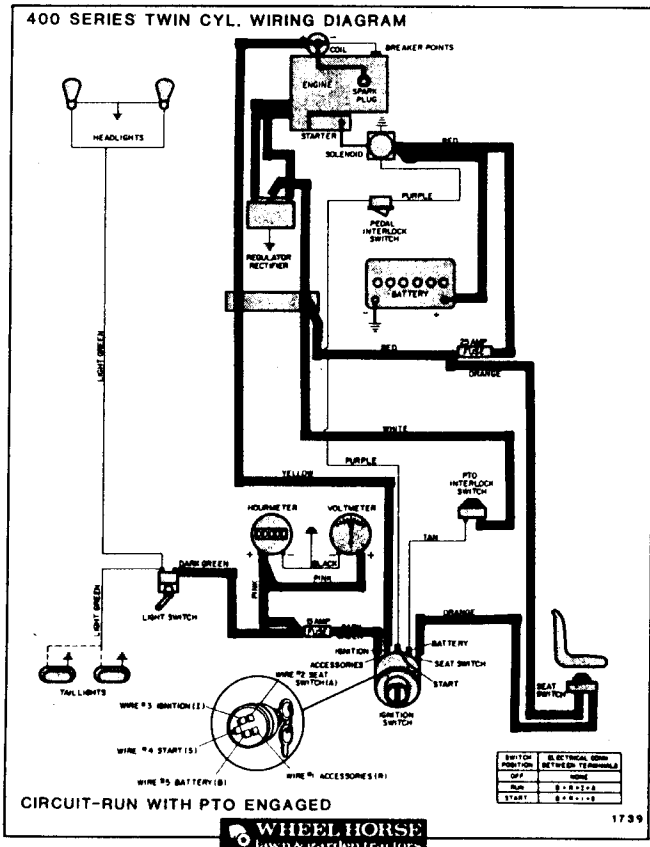
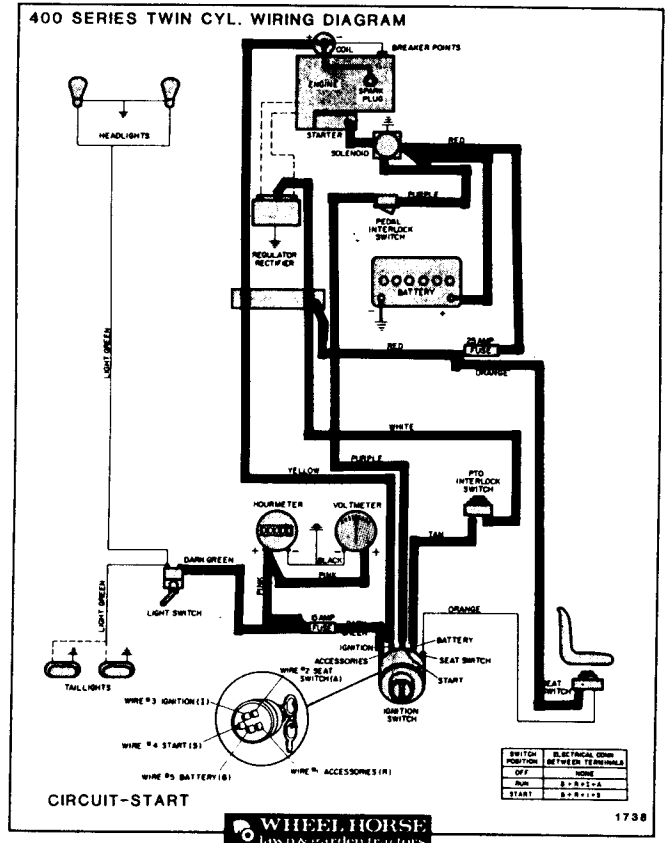
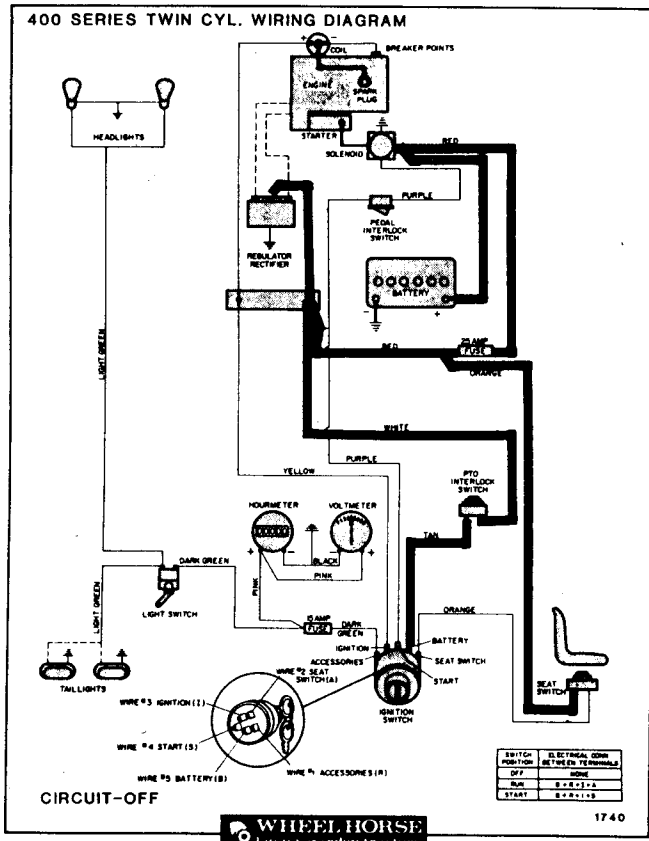
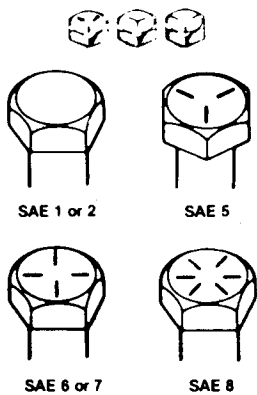


Figure 17-2 Twin Cylinder Wiring Diagram



TORQUE SPECIFICATIONS

| BOLT HEAD MARKINGS | BOLT BODY SIZE In. - Thread | SAE GRADE 1 or 2 | | SAE GRADE 5 | | SAE GRADE 6 or 7 | | SAE GRADE 8 | |
|--|--------------------------------|------------------|-------|-------------|-------|------------------|-------|-------------|-------|
| | | Torque | | Torque | | Torque | | Torque | |
| | | Ft-Lb | Nm | Ft-Lb | Nm | Ft-Lb | Nm | Ft-Lb | Nm |
| <p>Manufacturer's marks may vary. Three-line markings on heads shown below, for example, indicate SAE Grade 5.</p>  <p>SAE 1 or 2 SAE 5</p> <p>SAE 6 or 7 SAE 8</p> | 1/4-20 | 5 | 6.8 | 8 | 10.8 | 10 | 13.6 | 12 | 16.2 |
| | -28 | 6 | 8.1 | 10 | 13.6 | | | 14 | 19.0 |
| | 5/16-18 | 11 | 15.0 | 17 | 23.0 | 19 | 25.8 | 24 | 32.5 |
| | -24 | 13 | 17.6 | 19 | 25.8 | | | 27 | 36.6 |
| | 3/8-16 | 18 | 24.4 | 31 | 42.0 | 34 | 46.1 | 44 | 59.7 |
| | -24 | 20 | 27.1 | 35 | 47.5 | | | 49 | 66.4 |
| | 7/16-14 | 28 | 38.0 | 49 | 66.4 | 55 | 74.6 | 70 | 95.0 |
| | -20 | 30 | 40.7 | 55 | 74.6 | | | 78 | 105.8 |
| | 1/2-13 | 39 | 52.9 | 75 | 101.7 | 85 | 115.2 | 105 | 142.4 |
| | -20 | 41 | 55.6 | 85 | 115.2 | | | 120 | 162.7 |
| | 9/16-12 | 51 | 69.1 | 110 | 149.1 | 120 | 162.7 | 155 | 210.1 |
| | -18 | 55 | 74.6 | 120 | 162.7 | | | 170 | 230.5 |
| | 5/8-11 | 83 | 112.5 | 150 | 203.3 | 167 | 226.4 | 210 | 284.7 |
| | -18 | 95 | 128.8 | 170 | 230.5 | | | 240 | 325.4 |
| 3/4-10 | 105 | 142.4 | 270 | 366.1 | 280 | 379.6 | 375 | 508.4 | |
| -16 | 115 | 155.9 | 295 | 400.0 | | | 420 | 569.4 | |
| 7/8- 9 | 160 | 216.9 | 395 | 535.5 | 440 | 596.6 | 605 | 820.3 | |
| -14 | 175 | 237.3 | 435 | 589.8 | | | 675 | 915.2 | |
| 1- 8 | 235 | 318.7 | 590 | 799.9 | 660 | 894.8 | 910 | 1233.8 | |
| -14 | 250 | 339.0 | 660 | 894.8 | | | 990 | 1342.2 | |

FASTENERS

- All hex bolts GRADE 5 minimum, GRADE 8 used as noted.
- All carriage bolts GRADE 1 unless otherwise noted.
- In place of ESLOK or E.S. nuts, use LOCTITE or lock washers with free running nuts.

PAINT

Red Enamel — 6 cans, order #8-0311

Red Enamel — Quart can #5340 (Non-aerosol) *

Beige Enamel — 6 cans, order #8-0321

Black Enamel — 6 cans, order #8-0334

Pewter Metallic Enamel — 6 cans, order #8-0335

(Automotive Equivalent: 1971 Lincoln-Mercury Pewter Metallic)

White Enamel — 6 cans, order #8-0336

Pewter Gray Enamel — 6 cans, order #8-0337

(Automotive Equivalent: 1982 Lincoln Light Pewter)

Silver Metallic Enamel — 6 cans, order #8-0338

Pewter Gray Enamel — Quart can #5347 (Non-aerosol) **

* Thinning — use zylol (slow drying time) or toluol (fast drying time)

** Thin with zylol

| Part No. | Fig. No. | Part No. | Fig. No. | Part No. | Fig. No. | Part No. | Fig. No. |
|-------------|----------|-----------|----------|-------------|----------|-------------|----------|
| A-1392..... | 3-2 | 4204..... | 3-1 | 7269..... | 3-1 | 100729..... | 10-1 |
| 1001..... | 3-2 | 4944..... | 7-2 | 7418..... | 3-1 | 100772..... | 13-1 |
| 1004..... | 13-1 | 5108..... | 13-1 | 7434..... | 6-2 | 100863..... | 3-1 |
| 1030..... | 5-1 | 5173..... | 3-1 | 7443..... | 14-1 | 101017..... | 7-1 |
| 1030..... | 13-1 | 5174..... | 3-1 | 7451..... | 6-1 | 101161..... | 6-1 |
| 1085..... | 5-1 | 5175..... | 3-1 | 7456..... | 8-3 | 101623..... | 3-2 |
| 1085..... | 6-1 | 5224..... | 9-1 | 7466..... | 14-1 | 101623..... | 4-1 |
| 1085..... | 6-3 | 5210..... | 5-1 | 7473..... | 14-1 | 101625..... | 3-2 |
| 1121..... | 7-2 | 5210..... | 13-1 | 7607..... | 13-1 | 101625..... | 4-1 |
| 1121..... | 7-3 | 5280..... | 7-2 | 7879..... | 6-1 | 101626..... | 3-2 |
| 1230..... | 6-2 | 5434..... | 13-1 | 7879..... | 6-2 | 101626..... | 4-1 |
| 1239..... | 3-2 | 5466..... | 4-3 | 7896..... | 5-1 | 101699..... | 12-1 |
| 1243..... | 3-1 | 5614..... | 3-1 | 7896..... | 6-1 | 101707..... | 7-1 |
| 1278..... | 5-1 | 5615..... | 3-1 | 7939..... | 3-2 | 101710..... | 8-1 |
| 1278..... | 6-1 | 5616..... | 3-1 | 7951..... | 4-3 | 101711..... | 7-1 |
| 1278..... | 12-1 | 5618..... | 5-1 | 7956..... | 4-1 | 101750..... | 7-1 |
| 1278..... | 13-1 | 5618..... | 7-1 | 8119..... | 13-1 | 101751..... | 7-1 |
| 1481..... | 5-1 | 5638..... | 5-1 | 8130..... | 7-2 | 101761..... | 3-1 |
| 1504..... | 3-1 | 5666..... | 14-2 | 8163..... | 3-1 | 101850..... | 8-1 |
| 1516..... | 3-1 | 5701..... | 6-2 | 8519..... | 11-1 | 101884..... | 11-1 |
| 1518..... | 3-1 | 5701..... | 7-2 | 8616..... | 7-1 | 101887..... | 4-1 |
| 1518..... | 4-1 | 5701..... | 7-3 | 8693..... | 6-2 | 101889..... | 4-1 |
| 1523..... | 3-1 | 5924..... | 11-1 | 8722..... | 6-2 | 102025..... | 6-1 |
| 1528..... | 3-1 | 5961..... | 3-2 | 8765..... | 11-1 | 102025..... | 6-2 |
| 1529..... | 3-1 | 5983..... | 6-2 | 8786..... | 11-1 | 102138..... | 11-1 |
| 1531..... | 3-1 | 5983..... | 14-2 | 8830..... | 7-2 | 102373..... | 7-2 |
| 1532..... | 3-1 | 5991..... | 4-2 | 8830..... | 7-3 | 102373..... | 7-3 |
| 1532..... | 4-1 | 6129..... | 6-2 | 8830..... | 11-2 | 102592..... | 5-1 |
| 1533..... | 3-1 | 6216..... | 5-1 | 8830..... | 12-1 | 102593..... | 5-1 |
| 1533..... | 4-1 | 6229..... | 7-2 | 9038..... | 14-2 | 102639..... | 7-1 |
| 1538..... | 4-1 | 6229..... | 7-3 | 9416..... | 3-1 | 102644..... | 7-1 |
| 1542..... | 3-1 | 6254..... | 6-3 | 9416..... | 4-1 | 102651..... | 11-1 |
| 1644..... | 7-1 | 6397..... | 5-1 | 9547..... | 3-2 | 102672..... | 7-1 |
| 1654..... | 13-1 | 6449..... | 4-1 | 9547..... | 4-1 | 102809..... | 6-1 |
| 2833..... | 4-3 | 6469..... | 5-1 | 9593..... | 6-1 | 102809..... | 6-2 |
| 2844..... | 6-1 | 6472..... | 5-1 | 9598..... | 6-1 | 102856..... | 5-1 |
| 2844..... | 6-3 | 6542..... | 7-2 | 9840..... | 3-1 | 102870..... | 14-2 |
| 2879..... | 10-1 | 6658..... | 14-2 | 100079..... | 13-1 | 102872..... | 14-2 |
| 3023..... | 11-2 | 6659..... | 14-2 | 100291..... | 13-1 | 102881..... | 11-1 |
| 3503..... | 3-1 | 6663..... | 14-2 | 100304..... | 6-2 | 102950..... | 11-1 |
| 3517..... | 3-2 | 6820..... | 6-1 | 100305..... | 4-2 | 102974..... | 3-2 |
| 3527..... | 3-1 | 6941..... | 3-1 | 100305..... | 4-3 | 102974..... | 4-1 |
| 3577..... | 3-2 | 7007..... | 13-1 | 100309..... | 4-2 | 103125..... | 6-3 |
| 3624..... | 7-2 | 7201..... | 3-1 | 100309..... | 4-3 | 103125..... | 14-2 |
| 3765..... | 6-1 | 7204..... | 3-1 | 100365..... | 4-2 | 103323..... | 6-1 |
| 3765..... | 14-2 | 7205..... | 3-1 | 100365..... | 4-3 | 103347..... | 6-1 |
| 3901..... | 3-1 | 7206..... | 3-1 | 100441..... | 3-1 | 103478..... | 14-2 |
| 3908..... | 3-2 | 7207..... | 3-1 | 100442..... | 3-1 | 103543..... | 6-1 |
| 3909..... | 3-1 | 7208..... | 3-1 | 100443..... | 3-1 | 103599..... | 6-1 |
| 3912..... | 3-1 | 7209..... | 3-2 | 100489..... | 6-2 | 103628..... | 6-1 |
| 3915..... | 3-1 | 7213..... | 3-2 | 100571..... | 11-1 | 103817..... | 14-2 |
| 4204..... | 3-1 | 7214..... | 3-2 | 100571..... | 12-1 | 103991..... | 11-1 |
| 4944..... | 7-2 | 7262..... | 11-1 | 100656..... | 6-2 | 103995..... | 4-3 |

| Part No. | Fig. No. | Part No. | Fig. No. | Part No. | Fig. No. | Part No. | Fig. No. |
|-------------|----------|-------------|----------|-------------|----------|-------------|----------|
| 103995..... | 14-1 | 106257..... | 7-2 | 107975..... | 8-3 | 108872..... | 12-1 |
| 104047..... | 10-1 | 106258..... | 7-2 | 108035..... | 6-1 | 108881..... | 3-2 |
| 104048..... | 10-1 | 106261..... | 8-2 | 108086..... | 14-2 | 108881..... | 4-1 |
| 104248..... | 8-2 | 106264..... | 8-3 | 108130..... | 11-1 | 108881..... | 4-2 |
| 104627..... | 7-2 | 106267..... | 12-1 | 108310..... | 4-1 | 108881..... | 4-3 |
| 104627..... | 7-3 | 106269..... | 7-3 | 108312..... | 4-1 | 108894B.... | 8-2 |
| 104729..... | 14-2 | 106269..... | 7-2 | 108315..... | 7-2 | 108897..... | 8-3 |
| 104732..... | 14-2 | 106319..... | 6-2 | 108315..... | 7-3 | 108898..... | 10-1 |
| 104841..... | 15-1 | 106325..... | 6-2 | 108316..... | 14-1 | 108903..... | 7-2 |
| 104859..... | 14-2 | 106331..... | 15-1 | 108317..... | 4-2 | 108903..... | 7-3 |
| 104904..... | 4-3 | 106342..... | 8-2 | 108319..... | 4-2 | 108904..... | 6-2 |
| 104962..... | 11-1 | 106345..... | 7-2 | 108319..... | 4-3 | 108912..... | 15-1 |
| 105060..... | 4-1 | 106352..... | 8-3 | 108320..... | 4-2 | 108917..... | 10-1 |
| 105061..... | 4-1 | 106368..... | 6-2 | 108323..... | 4-2 | 108995..... | 11-1 |
| 105062..... | 3-2 | 106369..... | 6-2 | 108325..... | 4-2 | 109080..... | 11-1 |
| 105063..... | 3-2 | 106411..... | 7-2 | 108326..... | 4-2 | 109080..... | 11-2 |
| 105259..... | 15-1 | 106414..... | 7-2 | 108326..... | 4-3 | 109081..... | 12-1 |
| 105269..... | 7-1 | 106414..... | 7-3 | 108327..... | 4-2 | 109082..... | 12-1 |
| 105302..... | 11-1 | 106417..... | 6-1 | 108327..... | 4-3 | 109083..... | 12-1 |
| 105306..... | 11-1 | 106445..... | 10-1 | 108329..... | 4-2 | 109088..... | 12-1 |
| 105316..... | 7-1 | 106446..... | 4-1 | 108333..... | 4-2 | 109114..... | 13-1 |
| 105316..... | 7-2 | 106447..... | 3-1 | 108333..... | 4-3 | 109117..... | 11-1 |
| 105490..... | 10-1 | 106448..... | 3-1 | 108335..... | 4-2 | 109145..... | 8-1 |
| 105503..... | 15-1 | 106448..... | 4-1 | 108357..... | 4-1 | 109146..... | 8-1 |
| 105504..... | 11-1 | 106449..... | 15-1 | 108358..... | 4-1 | 109149B.... | 8-2 |
| 105524..... | 15-1 | 106450..... | 6-2 | 108359..... | 4-1 | 109155B.... | 8-2 |
| 105762..... | 13-1 | 106450..... | 14-2 | 108361..... | 4-1 | 109163..... | 5-1 |
| 105763..... | 13-1 | 106451..... | 6-1 | 108362..... | 4-1 | 109189..... | 5-1 |
| 105797..... | 7-1 | 106454..... | 8-2 | 108363..... | 4-1 | 109193..... | 8-3 |
| 105797..... | 8-1 | 106522..... | 7-2 | 108364..... | 4-2 | 109262..... | 5-1 |
| 105845..... | 7-2 | 106522..... | 7-3 | 108365..... | 4-2 | 109320..... | 7-3 |
| 105850..... | 14-2 | 106603..... | 15-2 | 108366..... | 4-2 | 109322..... | 8-2 |
| 105859..... | 7-1 | 106634..... | 7-1 | 108368..... | 4-2 | 109323..... | 8-2 |
| 105876..... | 4-1 | 106649..... | 14-2 | 108369..... | 4-1 | 109328..... | 11-1 |
| 105886..... | 6-1 | 106661..... | 4-2 | 108393..... | 14-1 | 109342..... | 15-1 |
| 105896..... | 6-1 | 106661..... | 4-3 | 108464..... | 8-3 | 109355..... | 11-1 |
| 105971..... | 10-1 | 106693..... | 14-2 | 108473..... | 6-2 | 109356..... | 6-3 |
| 105900..... | 6-1 | 106695..... | 14-2 | 108496..... | 6-2 | 109366..... | 6-3 |
| 106030..... | 3-2 | 106719..... | 6-1 | 108501..... | 14-1 | 109367..... | 4-1 |
| 106055..... | 5-1 | 106719..... | 6-3 | 108537..... | 8-2 | 109370..... | 4-1 |
| 106165..... | 14-1 | 106722..... | 15-2 | 108547..... | 8-3 | 109371..... | 6-3 |
| 106177..... | 5-1 | 106769..... | 14-2 | 108563..... | 7-2 | 109372..... | 6-3 |
| 106193..... | 6-1 | 106931..... | 10-1 | 108565..... | 7-2 | 109377..... | 4-2 |
| 106193..... | 6-2 | 106945..... | 10-1 | 108615..... | 9-1 | 109378..... | 11-1 |
| 106209..... | 8-2 | 107069..... | 8-2 | 108680..... | 6-3 | 109445..... | 11-1 |
| 106218..... | 7-3 | 107069..... | 8-3 | 108709..... | 15-2 | 109458..... | 13-1 |
| 106218..... | 7-2 | 107374..... | 3-2 | 108710..... | 15-2 | 109459..... | 11-1 |
| 106222..... | 8-3 | 107374..... | 4-1 | 108716..... | 6-2 | 109459..... | 11-2 |
| 106223..... | 8-3 | 107608..... | 8-2 | 108717..... | 6-2 | 109480..... | 15-2 |
| 106234..... | 10-1 | 107677..... | 6-1 | 108758..... | 3-2 | 109508..... | 11-1 |
| 106236..... | 8-3 | 107938..... | 6-2 | 108769..... | 13-1 | 109522..... | 15-2 |
| 106250..... | 8-2 | 107951..... | 8-3 | 108823..... | 8-3 | 109530..... | 10-1 |

| Part No. | Fig. No. | Part No. | Fig. No. | Part No. | Fig. No. | Part No. | Fig. No. |
|--------------|----------|-------------|----------|-------------|----------|-------------|----------|
| 109547..... | 11-1 | 110660..... | 9-1 | 110741..... | 11-1 | 111035..... | 11-1 |
| 109553..... | 11-1 | 110661..... | 10-1 | 110743..... | 5-1 | 111052..... | 14-2 |
| 109586..... | 15-2 | 110662..... | 10-1 | 110753..... | 15-2 | 111066..... | 12-1 |
| 109604..... | 11-1 | 110663..... | 14-2 | 110754..... | 15-2 | 111069..... | 11-1 |
| 109605..... | 11-1 | 110665..... | 14-2 | 110768..... | 4-1 | 111074..... | 11-1 |
| 109650..... | 11-1 | 110667..... | 14-1 | 110769..... | 6-2 | 111154..... | 7-2 |
| 109703..... | 4-1 | 110668..... | 14-1 | 110777..... | 15-2 | 111162..... | 13-1 |
| 109733..... | 5-1 | 110669..... | 14-2 | 110778..... | 15-2 | 111182..... | 8-1 |
| 109752..... | 4-1 | 110670..... | 14-2 | 110780..... | 6-2 | 518074..... | 11-1 |
| 109765B..... | 8-2 | 110671..... | 9-1 | 110781..... | 13-1 | 518077..... | 11-1 |
| 109766..... | 4-1 | 110672..... | 9-1 | 110782..... | 13-1 | 518151..... | 11-1 |
| 109842..... | 14-2 | 110673..... | 13-1 | 110783..... | 13-1 | 518211..... | 8-3 |
| 109910..... | 11-1 | 110675..... | 13-1 | 110787..... | 6-2 | 518246..... | 11-1 |
| 109986..... | 15-1 | 110676..... | 13-1 | 110791..... | 11-1 | 807032..... | 15-2 |
| 110091..... | 15-1 | 110677..... | 13-1 | 110792..... | 11-2 | 807033..... | 15-2 |
| 110092..... | 8-2 | 110678..... | 13-1 | 110799..... | 11-1 | 807051..... | 15-2 |
| 110094..... | 8-2 | 110679..... | 13-1 | 110800..... | 11-1 | 807052..... | 15-2 |
| 110096..... | 12-1 | 110685..... | 13-1 | 110807..... | 15-1 | 807053..... | 15-2 |
| 110097..... | 12-1 | 110686..... | 13-1 | 110808..... | 15-1 | 807055..... | 15-2 |
| 110098..... | 8-2 | 110688..... | 13-1 | 110831..... | 15-2 | 807058..... | 15-2 |
| 110124..... | 12-1 | 110689..... | 13-1 | 110861..... | 15-2 | 807062..... | 15-2 |
| 110125..... | 12-1 | 110690..... | 13-1 | 110862..... | 15-2 | 810242R3... | 12-1 |
| 110126..... | 6-3 | 110691..... | 13-1 | 110894..... | 10-1 | 810243R1... | 4-1 |
| 110126..... | 12-1 | 110692..... | 13-1 | 110901..... | 6-1 | 810243R1... | 4-2 |
| 110129B..... | 8-1 | 110693..... | 13-1 | 110902..... | 6-1 | 810372R1... | 15-2 |
| 110136G..... | 8-1 | 110695..... | 13-1 | 110918..... | 11-1 | 810395R1... | 4-2 |
| 110142..... | 8-2 | 110697..... | 13-1 | 110919..... | 15-1 | 900015..... | 8-1 |
| 110189..... | 6-2 | 110698..... | 13-1 | 110920..... | 15-1 | 900015..... | 14-2 |
| 110225..... | 6-3 | 110704..... | 13-1 | 110928..... | 11-1 | 900035..... | 8-2 |
| 110234..... | 6-1 | 110707..... | 13-1 | 110932..... | 15-1 | 900037..... | 8-3 |
| 110294..... | 15-1 | 110708..... | 13-1 | 110933..... | 13-1 | 900063..... | 1-1 |
| 110298..... | 11-1 | 110712..... | 10-1 | 110934..... | 13-1 | 900200..... | 4-3 |
| 110504..... | 12-1 | 110713..... | 10-1 | 110938..... | 4-3 | 908002..... | 4-3 |
| 110507..... | 6-1 | 110714..... | 10-1 | 110939..... | 4-3 | 908002..... | 6-1 |
| 110509..... | 15-2 | 110715..... | 10-1 | 110940..... | 4-3 | 908002..... | 14-2 |
| 110513..... | 13-1 | 110716..... | 15-2 | 110942..... | 4-3 | 908003..... | 6-2 |
| 110520..... | 8-2 | 110717..... | 15-2 | 110943..... | 6-2 | 908003..... | 11-1 |
| 110625..... | 15-1 | 110718..... | 15-2 | 110944..... | 4-3 | 908005..... | 6-2 |
| 110626..... | 15-1 | 110720..... | 8-2 | 110945..... | 4-3 | 908007..... | 6-2 |
| 110629..... | 15-2 | 110725..... | 3-2 | 110946..... | 4-3 | 908009..... | 12-1 |
| 110634..... | 8-3 | 110727..... | 3-2 | 110947..... | 14-1 | 908010..... | 14-1 |
| 110635..... | 8-3 | 110728..... | 15-2 | 110948..... | 4-3 | 908015..... | 5-1 |
| 110636..... | 8-3 | 110729..... | 15-2 | 110952..... | 4-3 | 908015..... | 6-2 |
| 110648..... | 1-1 | 110730..... | 15-2 | 110953..... | 4-3 | 908016..... | 8-3 |
| 110649..... | 9-1 | 110731..... | 15-2 | 110956..... | 5-1 | 908016..... | 10-1 |
| 110650..... | 8-2 | 110732..... | 15-2 | 110957..... | 5-1 | 908017..... | 4-2 |
| 110653..... | 7-2 | 110733..... | 15-2 | 110958..... | 10-1 | 908017..... | 8-3 |
| 110654..... | 14-2 | 110734..... | 15-2 | 110959..... | 4-3 | 908017..... | 12-1 |
| 110656..... | 14-2 | 110735..... | 15-2 | 110960..... | 8-3 | 908017..... | 15-1 |
| 110657..... | 9-1 | 110736..... | 15-2 | 110970..... | 11-1 | 908018..... | 15-1 |
| 110658..... | 9-1 | 110737..... | 15-2 | 111033..... | 8-2 | 908019..... | 4-2 |
| 110659..... | 9-1 | 110738..... | 15-2 | 111034..... | 8-2 | 908019..... | 4-3 |

| Part No. | Fig. No. | Part No. | Fig. No. | Part No. | Fig. No. | Part No. | Fig. No. |
|-------------|----------|-------------|----------|-------------|----------|-------------|----------|
| 908019..... | 7-2 | 913464..... | 15-1 | 920009..... | 6-2 | 926696..... | 10-1 |
| 908021..... | 4-3 | 915002..... | 5-1 | 920009..... | 6-3 | 932000..... | 8-1 |
| 908026..... | 15-1 | 915083..... | 6-2 | 920009..... | 9-1 | 932000..... | 12-1 |
| 908032..... | 1-1 | 915111..... | 4-3 | 920010..... | 14-1 | 932001..... | 6-2 |
| 908032..... | 5-1 | 915111..... | 3-2 | 920011..... | 4-2 | 932001..... | 6-2 |
| 908032..... | 7-2 | 915111..... | 6-2 | 920011..... | 6-1 | 932008..... | 6-3 |
| 908034..... | 6-3 | 915111..... | 8-1 | 920011..... | 6-2 | 932008..... | 15-1 |
| 908034..... | 7-1 | 915111..... | 11-1 | 920017..... | 7-2 | 932016..... | 6-1 |
| 908034..... | 7-2 | 915111..... | 14-2 | 920017..... | 7-3 | 932016..... | 7-2 |
| 908034..... | 7-3 | 915112..... | 6-2 | 920039..... | 6-2 | 932016..... | 14-2 |
| 908034..... | 14-2 | 915112..... | 7-2 | 920039..... | 6-3 | 932017..... | 6-3 |
| 908035..... | 4-1 | 915112..... | 7-3 | 920039..... | 10-1 | 932017..... | 12-1 |
| 908035..... | 4-3 | 915112..... | 8-2 | 920079..... | 8-3 | 932026..... | 5-1 |
| 908035..... | 6-2 | 915112..... | 8-3 | 920081..... | 6-1 | 932026..... | 13-1 |
| 908035..... | 7-1 | 915112..... | 11-1 | 920081..... | 10-1 | 932035..... | 5-1 |
| 908035..... | 4-3 | 195112..... | 15-1 | 920081..... | 11-1 | 932120..... | 12-1 |
| 908036..... | 5-1 | 915113..... | 1-1 | 920081..... | 14-2 | 932997..... | 12-1 |
| 908036..... | 6-3 | 915113..... | 3-1 | 920082..... | 4-2 | 933148..... | 7-2 |
| 908036..... | 9-1 | 915113..... | 4-1 | 920082..... | 5-1 | 933156..... | 3-1 |
| 908037..... | 6-1 | 915113..... | 4-2 | 920082..... | 9-1 | 933184..... | 3-2 |
| 908037..... | 6-2 | 915113..... | 4-3 | 920082..... | 10-1 | 933190..... | 6-1 |
| 908038..... | 3-1 | 915113..... | 5-1 | 920082..... | 12-1 | 933221..... | 5-1 |
| 908038..... | 3-1 | 915113..... | 6-1 | 920082..... | 15-1 | 933230..... | 7-2 |
| 908040..... | 4-1 | 915113..... | 6-2 | 920083..... | 1-1 | 933267..... | 6-1 |
| 908040..... | 4-2 | 915113..... | 6-3 | 920083..... | 7-2 | 933268..... | 7-2 |
| 908041..... | 4-3 | 915113..... | 7-1 | 920083..... | 9-1 | 933274..... | 14-2 |
| 908042..... | 4-1 | 915113..... | 14-2 | 920084..... | 14-1 | 933503..... | 6-3 |
| 908043..... | 3-1 | 915115..... | 4-2 | 920120..... | 11-1 | 933504..... | 6-1 |
| 908047..... | 14-1 | 915234..... | 6-2 | 920122..... | 6-2 | 933504..... | 7-2 |
| 908138..... | 3-2 | 915234..... | 11-1 | 920155..... | 11-1 | 933504..... | 7-3 |
| 908143..... | 4-1 | 915236..... | 13-1 | 920160..... | 11-1 | 933505..... | 7-1 |
| 908143..... | 4-2 | 915551..... | 8-3 | 920225..... | 6-1 | 933505..... | 14-2 |
| 908143..... | 4-3 | 915553..... | 11-1 | 920228..... | 7-2 | 933506..... | 7-2 |
| 908144..... | 6-3 | 915661..... | 12-1 | 920242..... | 15-1 | 933506..... | 14-2 |
| 909540..... | 14-1 | 915662..... | 8-3 | 920248..... | 6-1 | 933507..... | 7-2 |
| 909554..... | 13-1 | 915663..... | 4-3 | 920259..... | 11-1 | 933507..... | 7-3 |
| 909848..... | 5-1 | 915663..... | 6-1 | 920259..... | 11-2 | 936032..... | 14-2 |
| 909848..... | 6-1 | 915663..... | 6-3 | 920262..... | 11-1 | 936121..... | 4-2 |
| 909848..... | 6-3 | 915663..... | 9-1 | 920263..... | 6-2 | 936125..... | 14-2 |
| 909862..... | 14-1 | 915740..... | 10-1 | 923784..... | 8-1 | 937009..... | 4-2 |
| 910792..... | 10-1 | 920007..... | 4-3 | 923785..... | 8-1 | 937082..... | 4-3 |
| 910808..... | 8-3 | 920007..... | 6-2 | 926671..... | 9-1 | 937089..... | 3-1 |
| 910837..... | 8-2 | 920007..... | 8-1 | 926671..... | 11-1 | 937089..... | 14-1 |
| 910837..... | 8-3 | 920007..... | 11-1 | 926671..... | 11-2 | 937097..... | 14-1 |
| 910837..... | 10-1 | 920007..... | 14-2 | 926694..... | 6-1 | 937099..... | 4-1 |
| 911067..... | 10-1 | 920008..... | 7-2 | 926694..... | 6-2 | 937108..... | 13-1 |
| 911111..... | 4-3 | 920008..... | 7-3 | 926694..... | 7-2 | 937221..... | 14-1 |
| 911423..... | 4-1 | 920008..... | 8-3 | 926694..... | 8-1 | 938052..... | 8-1 |
| 911429..... | 4-2 | 920008..... | 11-1 | 926694..... | 8-2 | 943334..... | 9-1 |
| 911738..... | 10-1 | 920008..... | 15-1 | 926694..... | 8-3 | 943420..... | 3-1 |
| 911747..... | 6-2 | 920009..... | 4-3 | 926696..... | 7-2 | 943460..... | 3-1 |
| 913462..... | 8-3 | 920009..... | 6-1 | 926696..... | 8-2 | 943460..... | 4-1 |

| <u>Part No.</u> | <u>Fig. No.</u> |
|-----------------|---------------------|
| 943460..... | 4-2 |
| 950154..... | 10-1 |
| 960151..... | 11-1 |
| 973310..... | 12-1 |
| 973370..... | 12-1 |
| 979120..... | 7-1 |